

PAGE 2

STANDARD COLOUR LIST

PAGE 3

COLOUR CHART

PAGE 4

COLOUR CHART

PAGE 6

M505 26 GA GALVANIZED 2X4 JOINER 48" LONG (NO HOLES)

M510 24 GA GALVANIZED 2X4 JOINER 48" LONG (NO HOLES)

M515 22 GA GALVANIZED 2X4 JOINER 48" LONG C/W HOLES

M520 20 GA GALVANIZED 2X4 JOINER 48" LONG C/W HOLES

PAGE 7

M550 POST BRACKET

M555 POST BRACKET WITH REBAR

M560 FLOOR DRAIN COVERS & GRATES

M565 CUSTOM-BUILT STAIRS & RAILINGS

PAGE 10

M1 STANDARD 8 X 8 EAVE CORNICE

M1A STANDARD 8 X 8 EAVE CORNICE C/W FRONT DRIP

M1B STANDARD 8" EAVE FACE CAP

M1-1 CUSTOM EAVE CORNICE PROFILE

M1-2 CUSTOM EAVE CORNICE C/W FRONT DRIP PROFILE

PAGE 11

M1-3 CUSTOM FACE CAP PROFILE

M1-4 FACE CAP C/W FRONT DRIP PROFILE

M1-5 FACE CAP C/W 1/2" BEND PROFILE

M1-6 EAVE CORNICE C/W STIFFENER RIB(S) PROFILE

PAGE 12

P1 ONE ROW PERFORATION

P2 TWO ROWS PERFORATION

P3 THREE ROWS PERFORATION

PAGE 13 & 14

HOLES SHAPES AND SIZES

PAGE 15

M23 PERFORATED SOFFIT PANEL

M23A NON-PERFORATED SOFFIT PANEL

PAGE 16

M2 STANDARD 3-3/4 X 8 GABLE CORNICE

M2A STANDARD 3-3/4 X 8 GABLE CORNICE C/W FRONT DRIP

M2-1 CUSTOM GABLE CORNICE PROFILE

M2-2 CUSTOM GABLE CORNICE C/W FRONT DRIP PROFILE

PAGE 17

M16 STANDARD CORNER BOX (8 X 8 EAVE, 3-3/4 X 8 GABLE, 4/12 PITCH)

M16B STANDARD CORNER BOX TO MATCH FRONT DRIP (8-3/4 X 8 EAVE, 3 3/4 X 8 GABLE, 4/12 PITCH)

M16A CUSTOM CORNER BOX UP TO 24" SOFFIT

M16E CUSTOM CORNER BOX MORE THAN 24" SOFFIT

M16C ANGLED CORNER BOX PROFILE

PAGE 18

- M17** STANDARD CORNER CAP (8 X 8 EAVE; 8" GABLE OVERHANG 4/12 PITCH)
- M17A** CUSTOM CORNER CAP
- M19** STANDARD PEAK CAP (3 3/4 X 8 GABLE CORNICE 4/12 PITCH)
- M19A** CUSTOM PEAK CAP PROFILE

PAGE 21

- M20** STANDARD EAVESTARTER
- M20-1** CUSTOM EAVESTARTER PROFILE
- M20-2** CUSTOM EAVESTARTER C/W SAFETY EDGE PROFILE
- M20-3** CUSTOM EAVESTARTER WITHOUT DRIP PROFILE
- M20-4** CUSTOM GABLESTARTER WITH BOXED OUT FACE PROFILE

PAGE 22

- M12** STANDARD SIDEWALL FLASHING
- M12A** STANDARD ENDWALL FLASHING
- M12B** STANDARD ENDWALL FLASHING C/W 1" ON HORIZONTAL
- M12C** STANDARD ENDWALL / SIDEWALL FLASHING C/W 1" X 1" BOXED OUT
- M12-1** CUSTOM ENDWALL / SIDEWALL FLASHING PROFILE

PAGE 23

- M1324** 24" V VALLEY
- M1336** 36" V VALLEY
- M1324A** 24" W VALLEY
- M1336A** 36" W VALLEY
- M1324B** 24" ARROWHEAD V VALLEY
- M1336B** 36" ARROWHEAD V VALLEY
- M1324C** 24" ARROWHEAD W VALLEY
- M1336C** 36" ARROWHEAD W VALLEY

PAGE 24

- M14** STANDARD HIP CAP
- M14A** STANDARD INVERTED HIP CAP
- M14B** COTTAGE RIDGE / HIP CAP
- M14-1** CUSTOM HIP CAP PROFILE

PAGE 25

- M15** STANDARD RIDGE CAP
- M15S** STANDARD RIDGE CAP C/W SAFETY EDGES
- M15A** RESIDENTIAL RIDGE CAP
- M15-1** CUSTOM RIDGE CAP PROFILE

PAGE 26

- M21** STANDARD ICE/SNOW GUARD
- M21A** DOUBLE THICKNESS ICE/SNOW GUARD
- M22** STEP FLASHING

PAGE 28

- M3** STANDARD OUTSIDE CORNER
- M3A** STANDARD COMMERCIAL OUTSIDE CORNER
- M3-1** CUSTOM OUTSIDE CORNER PROFILE
- M3-2** CUSTOM COMMERCIAL OUTSIDE CORNER PROFILE

PAGE 29

- M4** STANDARD INSIDE CORNER
- M4A** STANDARD COMMERCIAL INSIDE CORNER
- M4-1** CUSTOM INSIDE CORNER PROFILE
- M4-2** CUSTOM COMMERCIAL INSIDE CORNER PROFILE

PAGE 30

- M25 SOFFIT SIDING JOINER**
- M27 COMMERCIAL SOFFIT / FREEZE BOARD JOINER**
- M28 STANDARD FREEZE BOARD COVER**

PAGE 32

- M5 STANDARD GABLE DIVIDER**
- M5-1 CUSTOM GABLE DIVIDER PROFILE**
- M5-2 COMMERCIAL GABLE DIVIDER PROFILE**
- M5-3 3D GABLE DIVIDER PROFILE**
- M5-4 3D COMMERCIAL GABLE DIVIDER PROFILE**

PAGE 33

- M6 STANDARD SILL TRIM**
- M6A STANDARD BASE TRIM**
- M6B STANDARD ENCLOSED BASE TRIM**
- M6-1 CUSTOM SILL TRIM PROFILE**
- M6-2 CUSTOM ENCLOSED BASE TRIM PROFILE**

PAGE 34

- M9 STANDARD J TRIM**
- M9-1 CUSTOM J TRIM PROFILE**

PAGE 35

- M10 STANDARD WINDOW FLASHING**
- M10A STANDARD COMMERCIAL WINDOW FLASHING**
- M10M STANDARD MATCHING FACE WINDOW FLASHING**
- M10-1 CUSTOM WINDOW FLASHING PROFILE**
- M10-2 CUSTOM COMMERCIAL WINDOW FLASHING PROFILE**

PAGE 37

- M7 STANDARD DOOR JAMB PROFILE**
- M7C STANDARD COMMERCIAL DOOR JAMB PROFILE**
- M7M STANDARD DOOR JAMB TO MATCH COMMERCIAL PROFILE**

PAGE 38

- M7A STANDARD DOOR JAMB C/W SAFETY EDGE PROFILE**
- M7CA STANDARD COMMERCIAL DOOR JAMB C/W SAFETY EDGE PROFILE**
- M7MA STANDARD DOOR JAMB TO MATCH COMMERCIAL C/W SAFETY EDGE PROFILE**

PAGE 39

- M7B STANDARD DOOR JAMB C/W FLANGE PROFILE**
- M7CB STANDARD COMMERCIAL DOOR JAMB C/W FLANGE PROFILE**
- M7MB STANDARD DOOR JAMB TO MATCH COMMERCIAL C/W FLANGE PROFILE**

PAGE 41

- M8 STANDARD DOOR CASING (1-1/2" THICK DOOR)**
- M8C STANDARD COMMERCIAL DOOR CASING (1-1/2" THICK DOOR)**
- M8M STANDARD DOOR CASING TO MATCH COMMERCIAL (1-1/2" THICK DOOR)**

PAGE 42

- M8A STANDARD DOOR CASING (3-5/8" THICK DOOR)**
- M8AC STANDARD COMMERCIAL DOOR CASING (3-5/8" THICK DOOR)**
- M8AM STANDARD DOOR CASING TO MATCH COMMERCIAL (3-5/8" THICK DOOR)**

PAGE 43

- M8-1 CUSTOM DOOR CASING PROFILE**
- M8-2 CUSTOM COMMERCIAL DOOR CASING PROFILE**

PAGE 44

- M11 STANDARD ROUND TRACK COVER**
- M18 STANDARD ROUND TRACK COVER END CAPS**
- M11D STANDARD ROUND TRACK COVER BRACKETS**

PAGE 45

- M11B STANDARD DOUBLE ROUND TRACK COVER**
- M18A STANDARD DOUBLE ROUND TRACK COVER END CAPS**
- M11DA STANDARD DOUBLE ROUND TRACK COVER BRACKETS**

PAGE 46

- M11H STANDARD CURTAIN FLASHING**
- M18H STANDARD CURTAIN FLASHING END CAPS**
- M11HB STANDARD CURTAIN FLASHING BRACKETS**

PAGE 47

- M29 TRACK BOARD COVER PROFILE**
- M30 COMMERCIAL TRACK BOARD COVER PROFILE**

PAGE 49

- M26 2X6 COVER**
- M26A 2X6 COVER C/W ONE FLANGE**
- M26B 2X6 COVER C/W TWO FLANGES (HAT TRIM)**

PAGE 50

- M26C COMMERCIAL 2X6 COVER**
- M31 BEAM COVER PROFILE**
- M32 6X6 POST COVER**

PAGE 51

- M33 DOUBLE DOOR JAMB PROFILE**
- M33C COMMERCIAL DOUBLE DOOR JAMB PROFILE**
- M33M DOUBLE DOOR JAMB TO MATCH COMMERCIAL PROFILE**

PAGE 52

- M34 CEILING JOINER TRIM**
- M34C COMMERCIAL CEILING JOINER TRIM**

PAGE 54

- M203 COMMERCIAL OUTSIDE CORNER (1-1/2" SIDING)**
- M204 COMMERCIAL INSIDE CORNER (1-1/2" SIDING)**
- M205 COMMERCIAL BASE TRIM (1-1/2" SIDING)**
- M205A COMMERCIAL BASE TRIM DOUBLE-SIDED (1-1/2" SIDING)**

PAGE 55

- M206 COMMERCIAL SILL TRIM (1-1/2" SIDING)**
- M206A COMMERCIAL SILL TRIM DOUBLE-SIDED (1-1/2" SIDING)**
- M209 COMMERCIAL J TRIM (1-1/2" SIDING)**
- M209A COMMERCIAL J TRIM DOUBLE-SIDED (1-1/2" SIDING)**
- M209B COMMERCIAL J TRIM COLOUR INSIDE (1-1/2" SIDING)**

PAGE 57

- M500 Z GIRT PROFILE**

PAGE 58

- M501 J GIRT PROFILE**

PAGE 59

- M502 ANGLE PROFILE**

PAGE 60

- M503 CHANNEL PROFILE**

PAGE 63

- M48 48" ROOF VENT**
- M120 120" RIDGE VENT (UP TO 6/12 P)**
- M120A 120" RIDGE VENT C/W WIND DEFLECTORS FOR ROOF SLOPE OVER 6/12 P**

PAGE 64

- M416 16" ROUND VENT**
- M420 20" ROUND VENT**
- M424 24" ROUND VENT**
- M430 30" ROUND VENT**
- M436 36" ROUND VENT**

PAGE 65

- M218 18" CUPOLA**
- M218V 18" CUPOLA C/W WEATHERVANE**
- M224 24" CUPOLA**
- M224V 24" CUPOLA C/W WEATHERVANE**
- M230 30" CUPOLA**
- M230V 30" CUPOLA C/W WEATHERVANE**
- M236 36" CUPOLA**
- M236V 36" CUPOLA C/W WEATHERVANE**
- M242 42" CUPOLA**
- M242V 42" CUPOLA C/W WEATHERVANE**
- M248 48" CUPOLA**
- M248V 48" CUPOLA C/W WEATHERVANE**

PAGE 66

- 24" AND 30" WEATHERVANES**

PAGE 67

- 46" FULL-BODIED WEATHERVANES**

PAGE 68

- M-460 RECTANGULAR WINDOW SHUTTER**
- M-465 CATHEDRAL WINDOW SHUTTERS**
- M-466 BOARD-STYLE WINDOW SHUTTERS**

PAGE 69

- M-300 RECTANGLE / SQUARE LOUVRE (UP TO 36" WIDE)**
- M-310 RECTANGLE / SQUARE LOUVRE (OVER 36" WIDE)**

PAGE 70

- M-318 18" OCTAGON LOUVRE C/W 3" FACE**
- M-324 24" OCTAGON LOUVRE C/W 3" FACE**
- M-330 30" OCTAGON LOUVRE C/W 3" FACE**
- M-336 36" OCTAGON LOUVRE C/W 3" FACE**
- M-348 48" OCTAGON LOUVRE C/W 3" FACE**

PAGE 71

- M-360 TRIANGLE LOUVRE**
- M-365 TRIANGLE LOUVRE WITH RECTANGLE BASE**

PAGE 72

- M-450 FAN HOOD C/W 4" X 4" THROAT**
- M-455 FAN HOOD**



SECTION 1

STANDARD COLOURS

PAGE 2

STANDARD COLOUR LIST

PAGE 3

COLOUR CHART

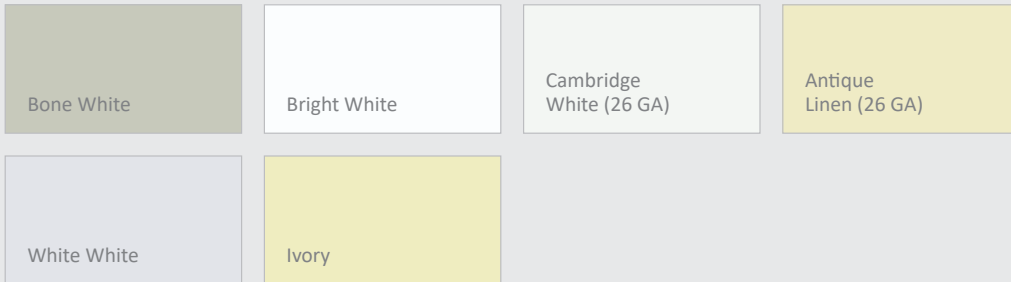
PAGE 4

COLOUR CHART

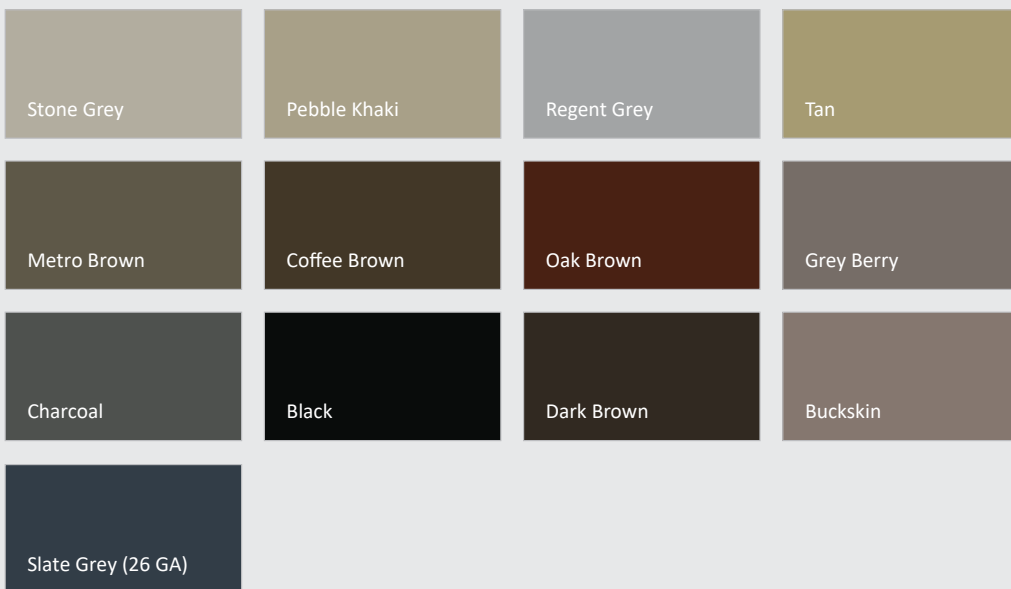
COLOUR	STANDARD QC CODE	VICWEST QC CODE
• ANTIQUE LINEN (26 GA)	• 28696	• 56162
• BLACK	• 28262	• 56068
• BONE WHITE	• 28273	• 56069
• BRIGHT RED	• 28386	• 56080
• BRIGHT SILVER (26 GA)	• 2624	• 2624
• BRIGHT WHITE	• 28783	• 56086
• BUCKSKIN	• 19202	• —
• BURGUNDY	• 28011	• 57319
• CAMBRIDGE WHITE (26 GA)	• 28695	• 56161
• CHARCOAL	• 28306	• 56072
• CLASSIC COPPER (26 GA)	• 3234	• 3234
• COFFEE BROWN	• 28326	• 56077
• COPPER (16 OZ.)	• —	• —
• DARK BROWN	• 28229	• 56062
• DARK (MELCHERS) GREEN	• 28307	• 56073
• DARK (BARN) RED	• 28250	• 56064
• GALVALUME	• —	• —
• GALVANIZED	• —	• —
• GOLD	• 28276	• 56070
• GREY BERRY	•	• 55090
• HERON BLUE	• 28330	• 56079
• IVORY	•	• 56090
• MEDIUM GREEN	• 28329	• 56085
• METRO BROWN	• 28228	• 56158
• MIST GREEN (26 GA)	• 28256	• 56065
• OAK BROWN	•	• 56158
• ORANGE	• 28234	• 56063
• PACIFIC TURQUOISE	• 28258	• 56156
• PEBBLE KHAKI	• 28219	• 55051
• REGENT GREY	• 28730	• 56082
• ROYAL BLUE	• 28790	• 56081
• SLATE BLUE	• 28260	• 56067
• SLATE GREY (26 GA)	• 28013	• —
• STAINLESS STEEL (26 GA)	• —	• —
• STONE GREY	• 28305	• 56071
• TAN	• 28315	• 56074
• TILE RED	• 28259	• 56066
• WHITE WHITE	• 28317	• 56076

To help visualize colours on a building, use the colour selector tool at www.macoenterprises.ca

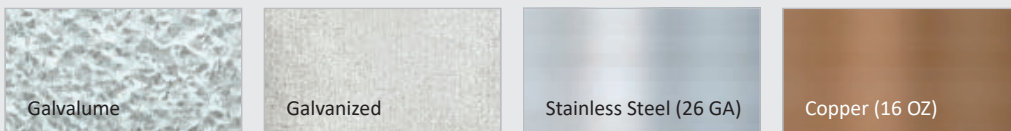
WHITES & OFF-WHITES



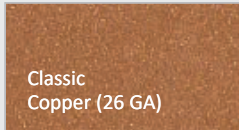
EARTH TONES



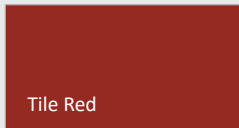
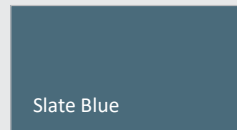
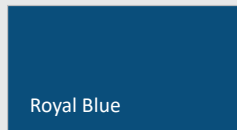
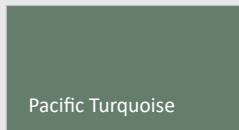
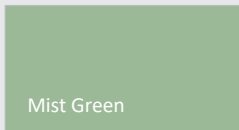
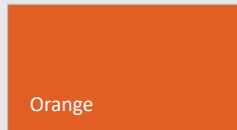
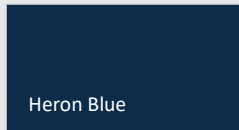
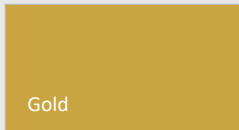
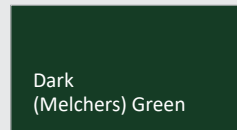
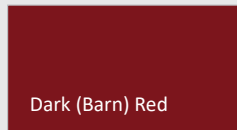
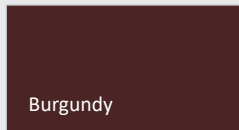
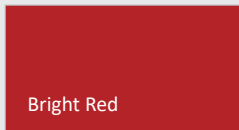
NATURAL FINISH



METALLIC FINISH



ACCENT COLOURS





SECTION 2

MISCELLANEOUS ITEMS

PAGE 7

- M-505 26 GA GALVANIZED 2X4 JOINER 48" LONG**
- M-510 24 GA GALVANIZED 2X4 JOINER 48" LONG**
- M-515 22 GA GALVANIZED 2X4 JOINER 48" LONG C/W HOLES**
- M-520 20 GA GALVANIZED 2X4 JOINER 48" LONG C/W HOLES**

PAGE 8

- M-550 POST BRACKET**
- M-555 POST BRACKET WITH REBAR**
- M-560 FLOOR DRAIN COVERS & GRATES**
- M-565 CUSTOM-BUILT STAIRS & RAILINGS**



STANDARD PROFILE

2 X 4 JOINER

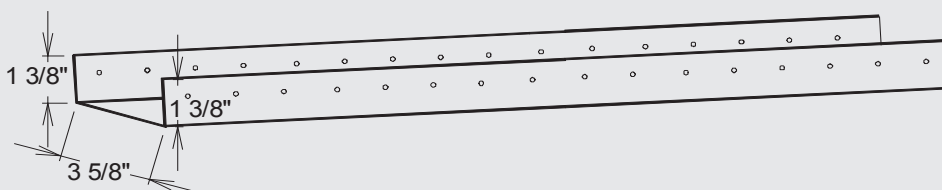
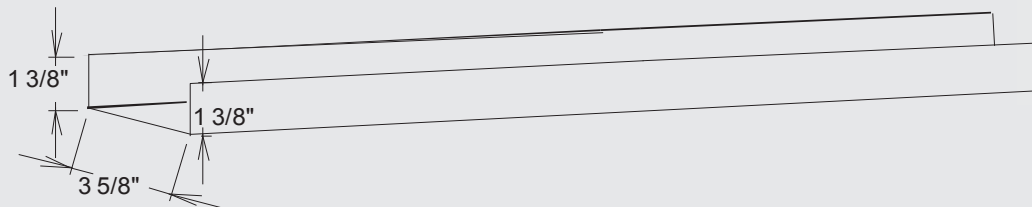
M-505 26 GA GALVANIZED 48" LONG

M-510 24 GA GALVANIZED 48" LONG

M-515 22 GA GALVANIZED 48" LONG C/W HOLES

M-520 20 GA GALVANIZED 48" LONG C/W HOLES

- ALSO AVAILABLE IN OTHER LENGTHS
- HOLES RECOMMENDED IN 22 GA AND HEAVIER
- HOLES AT 2" CENTRE TO CENTRE
- AVAILABLE IN 10 TO 26 GAUGE MATERIAL
- DIMENSIONS CAN BE MODIFIED TO PREFERENCE



2 X 4 STRAPPING JOINER

MATERIAL

- > AVAILABLE IN GALVANIZED IN GAUGES 10 TO 26

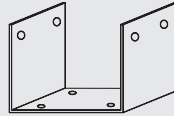
USES

- > USED TO JOIN STRAPPING FOR CONTINUOUS LATERALS
- > HOLES AVAILABLE IN EVERY GAUGE (RECOMMENDED IN MATERIAL 22 GA AND HEAVIER)

STANDARD PROFILE

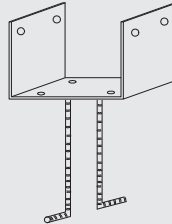
M-550 POST BRACKET

- LAGGED TO TOP OF EXISTING CONCRETE WALL
- AVAILABLE IN PRIME PAINT OR HOT-DIPPED GALVANIZED
- DIMENSIONS CAN BE MODIFIED TO PREFERENCE



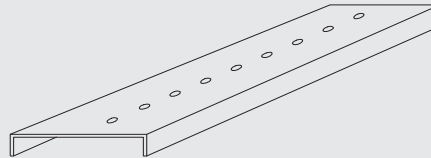
M-555 POST BRACKET WITH REBAR

- SET INTO CONCRETE WHEN POURING WALLS
- AVAILABLE IN PRIME PAINT OR HOT-DIPPED GALVANIZED
- DIMENSIONS CAN BE MODIFIED TO PREFERENCE



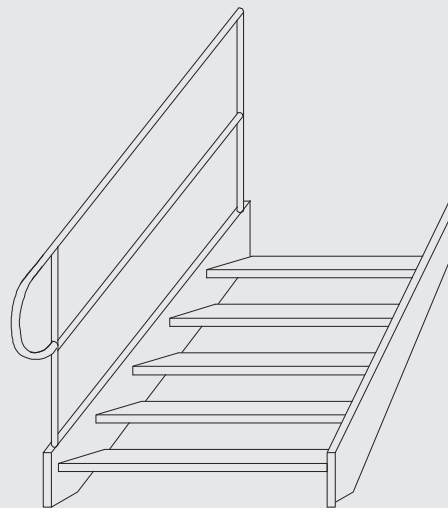
M-560 FLOOR DRAIN COVERS & GRATES

- CAN BE FABRICATED TO SUIT YOUR SPECIFICATIONS
- CHOOSE FROM FORMED STEEL PLATES WITH HOLES, OR RUGGED BAR-GRATE STYLE.
- POUR-IN-CONCRETE FRAMES AVAILABLE WITH REMOVABLE DRAIN COVER OR BAR-STYLE GRATE
- AVAILABLE IN GALVANIZED, STAINLESS STEEL, OR REGULAR STEEL



M-565 STEEL STAIRS & RAILINGS

- CUSTOM-BUILT STAIRS, LANDINGS, & RAILINGS TO MATCH YOUR PROJECT REQUIREMENTS
- TREADS AVAILABLE IN CHECKER PLATE, SAFETY-GRIP, OR CONCRETE-FILLED PAN
- AVAILABLE ALUMINUM, STAINLESS STEEL, OR REGULAR STEEL WITH FINISH IN PRIME PAINT OR HOT-DIPPED GALVANIZED



MATERIAL

> AVAILABLE THICKNESS FROM 1/8" - 3/8"

USES

> USED TO HOLD POSTS IN PLACE ON TOP OF CONCRETE WALLS



SECTION 3

EAVE TRIM PERFORATION HOLE SIZE AND SHAPE SOFFIT PANEL

PAGE 10

- M-1 STANDARD 8X8 EAVE CORNICE**
- M-1A STANDARD 8X8 EAVE CORNICE C/W FRONT DRIP**
- M-1B STANDARD 8" EAVE FACE CAP**
- M1-1 CUSTOM EAVE CORNICE PROFILE**
- M1-2 CUSTOM EAVE CORNICE C/W FRONT DRIP PROFILE**

PAGE 11

- M1-3 CUSTOM FACE CAP PROFILE**
- M1-4 FACE CAP C/W FRONT DRIP PROFILE**
- M1-5 FACE CAP C/W 1/2" BEND PROFILE**
- M1-6 EAVE CORNICE C/W STIFFENER RIB(S) PROFILE**

PAGE 12

- P1 ONE ROW PERFORATION**
- P2 TWO ROWS PERFORATION**
- P3 THREE ROWS PERFORATION**

PAGE 13 & 14

HOLES SHAPES AND SIZES

PAGE 15

- M-23 PERFORATED SOFFIT PANEL**
- M-23A NON-PERFORATED SOFFIT PANEL**



SECTION 3 CONT.

GABLE TRIM CORNER BOXES CORNER CAPS PEAK BOXES

PAGE 16

- M-2 STANDARD 3-3/4 X 8 GABLE CORNICE**
- M-2A STANDARD 3-3/4 X 8 GABLE CORNICE C/W FRONT DRIP**
- M2-1 CUSTOM GABLE CORNICE PROFILE**
- M2-2 CUSTOM GABLE CORNICE C/W FRONT DRIP PROFILE**

PAGE 17

- M-16 STANDARD CORNER BOX (8 X 8 EAVE; 3 3/4 X 8 GABLE; 4/12 PITCH)**
- M-16B STANDARD CORNER BOX TO MATCH FRONT DRIP (8 3/4 X 8 EAVE; 3 3/4 X 8 GABLE; 4/12 PITCH)**
- M-16A CUSTOM CORNER BOX UP TO 24" SOFFIT**
- M-16E CUSTOM CORNER BOX MORE THAN 24" SOFFIT**
- M-16C ANGLED CORNER BOX PROFILE**

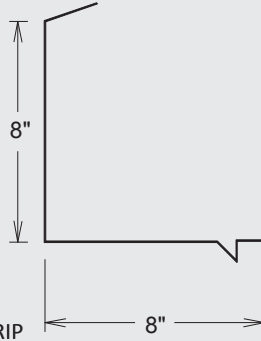
PAGE 18

- M-17 STANDARD CORNER CAP (8 X 8 EAVE; 8" GABLE OVERHANG 4/12 PITCH)**
- M-17A CUSTOM CORNER CAP**
- M-19 STANDARD PEAK CAP (3 3/4 X 8 GABLE CORNICE 4/12 PITCH)**
- M-19A CUSTOM PEAK CAP PROFILE**

STANDARD PROFILES

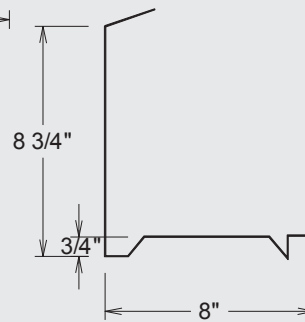
M-1 8 X 8 EAVE CORNICE

MATERIAL GIRTH: 21"



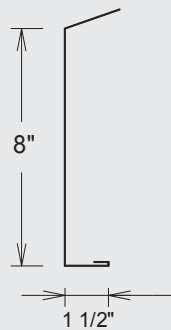
M-1A 8 X 8 EAVE CORNICE C/W FRONT DRIP

MATERIAL GIRTH: 22"



M-1B 8" FACE CAP

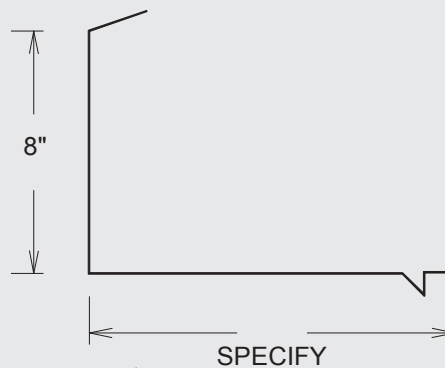
MATERIAL GIRTH: 12"



CUSTOM PROFILES AVAILABLE

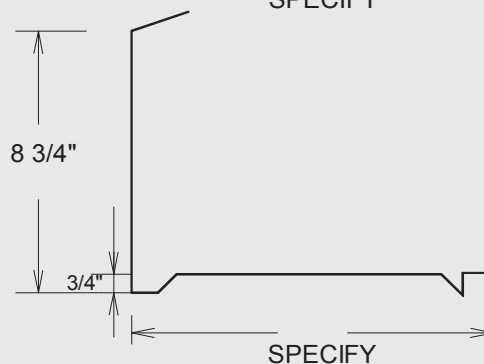
M1-1 CUSTOM EAVE CORNICE PROFILE

- SPECIFY FACE AND SOFFIT DIMENSIONS
- DIMENSIONS CAN BE MODIFIED TO PREFERENCE



M1-2 CUSTOM EAVE CORNICE C/W FRONT DRIP PROFILE

- SPECIFY FACE AND SOFFIT MEASUREMENTS
- DIMENSIONS CAN BE MODIFIED TO PREFERENCE



USES

- > ONE PIECE FASCIA AND SOFFIT INTERSECTS ROOF AND SIDING STEEL
- > FRONT DRIP ON CORNICE ENSURES THAT WATER DRIPS OFF THE FACE NOT ALONG THE SOFFIT. IT IS COMMONLY USED WHEN THE SOFFIT HAS PERFORATIONS
- > FRONT DRIP ALSO ADDS CHARACTER
- > ADDING A CROSSBRAKE STIFFENS THE FACE AND MINIMIZES WRINKLES
- > VENTING IN SOFFIT ALSO AVAILABLE (SEE PAGE 12)

FOR ANY OF THE FOLLOWING OPTIONS ADD THE APPROPRIATE CODE TO ANY EAVE OR GABLE PROFILE CODE

P1 -1 ROW PERFORATED (7/8" DIAMETER AT 6" CENTRES)

P2 -2 ROW PERFORATED (7/8" DIAMETER AT 6" CENTRES)

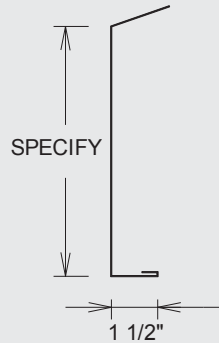
P3 -3 ROW PERFORATED (7/8" DIAMETER AT 6" CENTRES)

X -CROSSBRAKE ON FACE

CUSTOM M1 PROFILES AVAILABLE CONT.

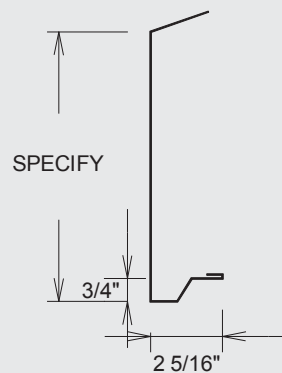
M1-3 FACE CAP PROFILE

- SPECIFY DIMENSION FOR FACE
- DIMENSIONS CAN BE MODIFIED TO PREFERENCE



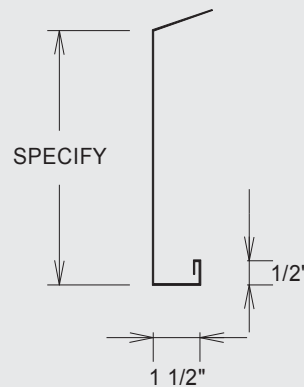
M1-4 FACE CAP C/W FRONT DRIP PROFILE

- ADD 3/4" TO THE INSIDE FACE DIMENSION FOR OVERALL FACE MEASUREMENT
- DIMENSIONS CAN BE MODIFIED TO PREFERENCE



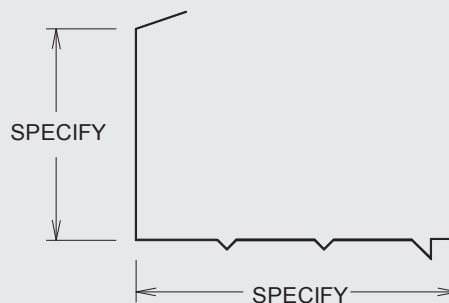
M1-5 FACE CAP C/W 1/2" HOOK PROFILE

- ADD 1/2" TO THE INSIDE FACE DIMENSION FOR OVERALL FACE MEASUREMENT
- DIMENSIONS CAN BE MODIFIED TO PREFERENCE



M1-6 EAVE CORNICE WITH STIFFENER RIB(S) PROFILE

- ONE OR MORE STIFFENER RIBS CAN BE USED
- STIFFENER RIBS CAN ALSO BE PUT INTO THE FACE FOR APPLICATIONS WITH WIDER FACE



USES

- > FRONT DRIP FACE CAP ADDS CHARACTER TO BUILDING APPEARANCE
- > ADDING A CROSSBRAKE STIFFENS THE FACE AND MINIMIZES WRINKLES
- > ADDING STIFFENER RIBS STIFFENS THE SOFFIT OR FACE
- > SOFFIT PANEL AVAILABLE CUT TO LENGTH (SEE PAGE 15)
- > VENTING IN CORNICE SOFFIT AVAILABLE (SEE PAGE 12)

FOR ANY OF THE FOLLOWING OPTIONS ADD THE APPROPRIATE CODE TO ANY EAVE OR GABLE PROFILE CODE

P1 -1 ROW PERFORATED (7/8" DIAMETER AT 6" CENTRES)

P2 -2 ROW PERFORATED (7/8" DIAMETER AT 6" CENTRES)

P3 -3 ROW PERFORATED (7/8" DIAMETER AT 6" CENTRES)

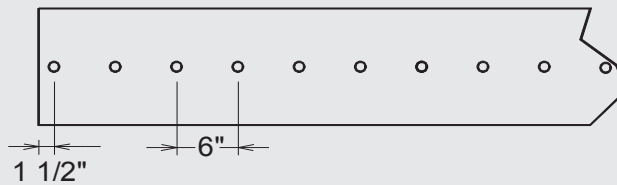
X -CROSSBRAKE ON FACE

STANDARD PERFORATING

P1

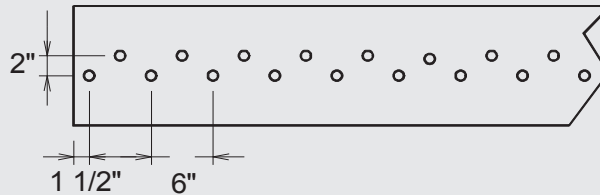
ONE ROW OF PERFORATIONS

- 7/8" HOLE @ 6" CENTRE TO CENTRE = 2 HOLES / LINEAR FOOT
- 1.2 SQUARE INCHES OF VENTING PER LINEAR FOOT



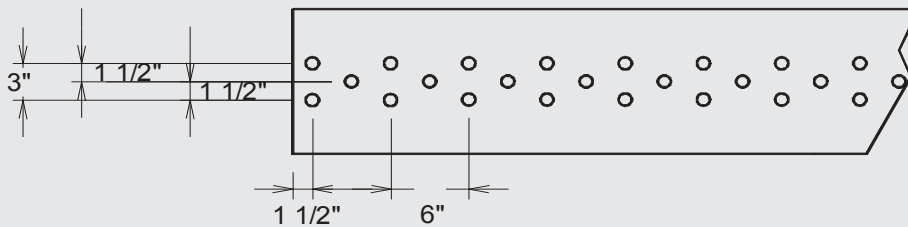
P2 TWO ROWS OF PERFORATIONS

- 7/8" HOLE @ 6" CENTER TO CENTER = 4 HOLES / LINEAR FOOT
- 2.4 SQUARE INCHES OF VENTING PER LINEAR FOOT



P3 THREE ROWS OF PERFORATIONS

- 7/8" HOLE @ 6" CENTER TO CENTER = 6 HOLES / LINEAR FOOT
- 3.6 SQUARE INCHES OF VENTING PER LINEAR FOOT



P4—P_ FOUR OR MORE ROWS OF PERFORATIONS AVAILABLE.

CONTACT US TO FIND OUT WHAT IS AVAILABLE FOR YOUR APPLICATION

USES

- > IMPROVES ATTIC VENTILATION
- > STANDARD PERFORATION COMES WITH 7/8" HOLES
- > SEE PAGES 12 AND 13 FOR HOLE SHAPES AND SIZES



AVAILABLE HOLE SHAPES AND SIZES (ACTUAL SIZE)

7/8" ROUND (STANDARD)

3/4" ROUND

5/8" ROUND

1/2" ROUND

3/8" ROUND

5/16" ROUND

HOLE SHAPES AND SIZES

USES

- > ANY AVAILABLE HOLES CAN BE USED FOR VENTING IN CORNICE OR SOFFIT PANEL
- > SMALLER OR SLOTTED HOLES CAN BE USED WHERE LESS VISIBLE VENTING IS REQUIRED



AVAILABLE HOLE SHAPES AND SIZES (ACTUAL SIZE)

3/16" X 1-1/4" SLOT

7/8" SQUARE ON DIAGONAL

3/4" SQUARE

1/2" SQUARE

HOLE SHAPES AND SIZES

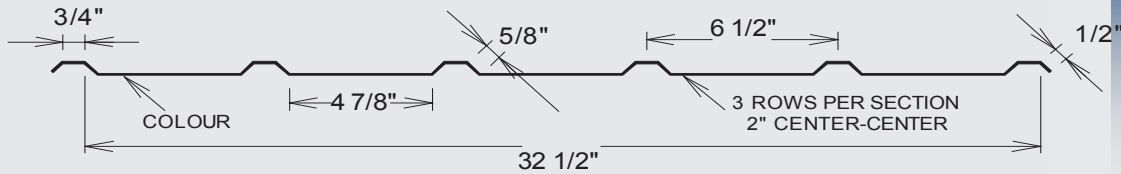
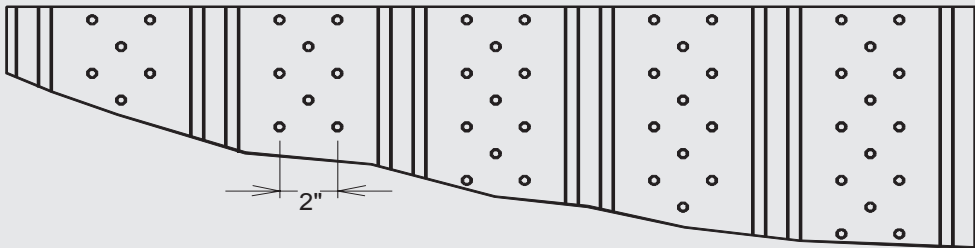
USES

- > ANY AVAILABLE HOLES CAN BE USED FOR VENTING IN CORNICE OR SOFFIT PANEL
- > SMALLER OR SLOTTED HOLES CAN BE USED WHERE LESS VISIBLE VENTING IS REQUIRED

STANDARD SOFFIT PROFILE

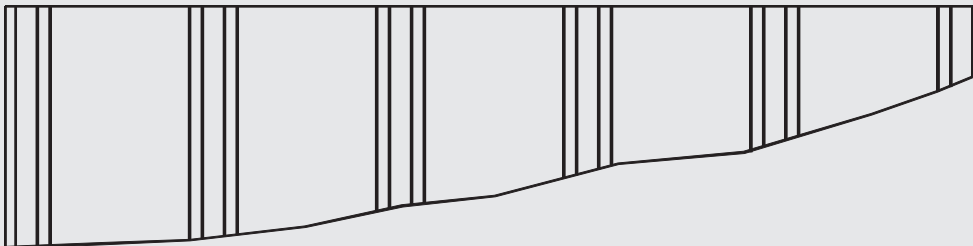
M-23 PERFORATED SOFFIT PANEL

- 5/16" HOLE (STANDARD) OTHER HOLE SIZES AVAILABLE
- 2.56 SQUARE INCHES OF VENTING PER SQUARE FOOT WITH 5/16" HOLES
- 33.3 HOLES PER SQUARE FOOT
- PANELS CAN BE CUT TO THE REQUIRED LENGTH



M-23A NON-PERFORATED SOFFIT PANEL

- USED FOR GABLE ENDS
- USED FOR PORCH CEILINGS
- PANELS CAN BE CUT TO THE REQUIRED LENGTH



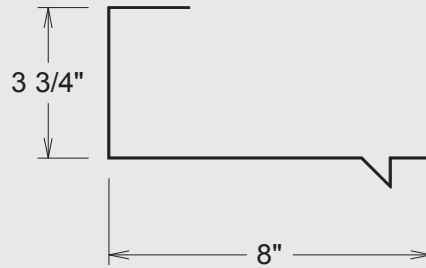
USES

- > FOR WIDE OVERHANGS ON AGRICULTURE, COMMERCIAL OR INDUSTRIAL BUILDINGS
- > ORDER CUT TO LENGTH TO REDUCE WASTE AND LABOUR
- > 10' SHEETS ALSO AVAILABLE
- > ANY HOLE SHAPE OR SIZE CAN BE USED. SEE PAGES 13 AND 14 FOR OPTIONS

STANDARD PROFILES

M-2 3-3/4 X 8 GABLE CORNICE

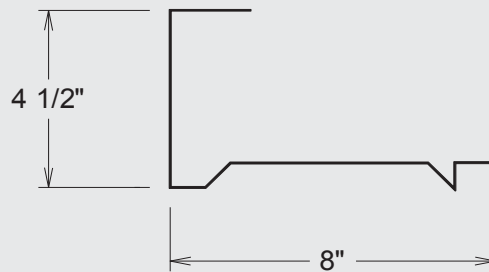
MATERIAL GIRTH: 16"



M-2A GABLE CORNICE C/W FRONT DRIP

INSIDE DIMENSION FOR FACE IS 3-3/4"

MATERIAL GIRTH: 18"

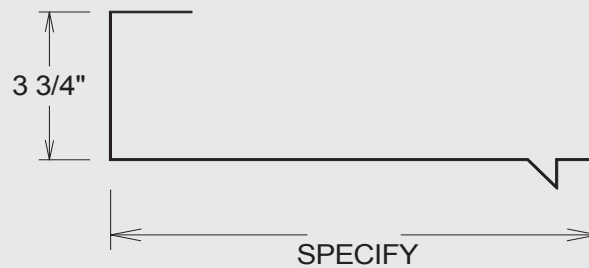


- USES**
- > ONE PIECE FASCIA AND SOFFIT INTERSECTS ROOF AND SIDING STEEL
 - > FRONT DRIP PREVENTS WATER FROM RUNNING HORIZONTALLY ALONG THE SOFFIT
 - > FRONT DRIP CORNICE ADDS CHARACTER TO BUILDING APPEARANCE

CUSTOM PROFILES AVAILABLE

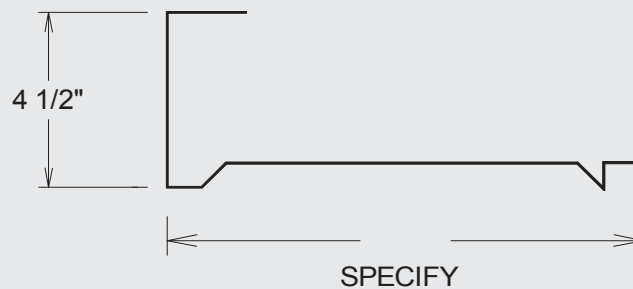
M2-1 GABLE CORNICE

- SPECIFY DIMENSION FOR SOFFIT
- DIMENSIONS CAN BE MODIFIED TO PREFERENCE



M2-2 GABLE CORNICE C/W FRONT DRIP

- SPECIFY DIMENSION FOR SOFFIT
- DIMENSIONS CAN BE MODIFIED TO PREFERENCE

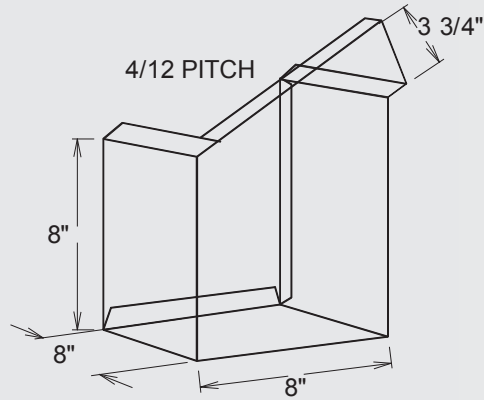


STANDARD CORNER BOX

M-16 STANDARD CORNER BOX; 8 X 8 EAVE AND 4 X 8 GABLE CORNICE; 4/12 PITCH

M-16B STANDARD CORNER BOX TO MATCH FRONT DRIP; 8 X 8 EAVE AND 4 X 8 GABLE CORNICE; 4/12

RIGHT HAND OR LEFT HAND CORNER BOXES ARE DETERMINED BY FACING THE GABLE END OF THE BUILDING



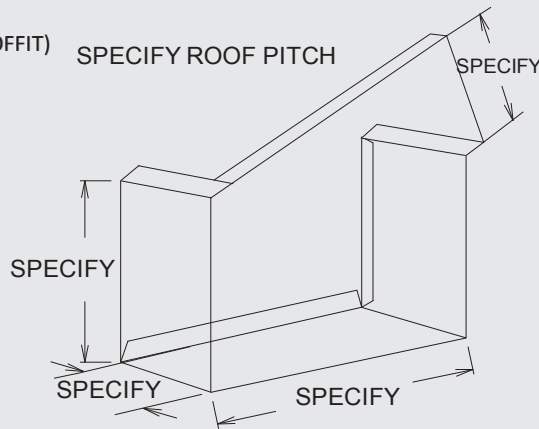
USES
 > USED TO JOIN EAVE AND GABLE TRIM

CUSTOM CORNER BOXES AVAILABLE

M-16A CUSTOM CORNER BOX (UP TO 24" SOFFIT)

SPECIFY THE FOLLOWING:

- EAVE SIZE (FACE AND SOFFIT)
- GABLE SIZE (FACE AND SOFFIT)
- ROOF PITCH
- QUANTITY (RIGHT HAND OR LEFT HAND)

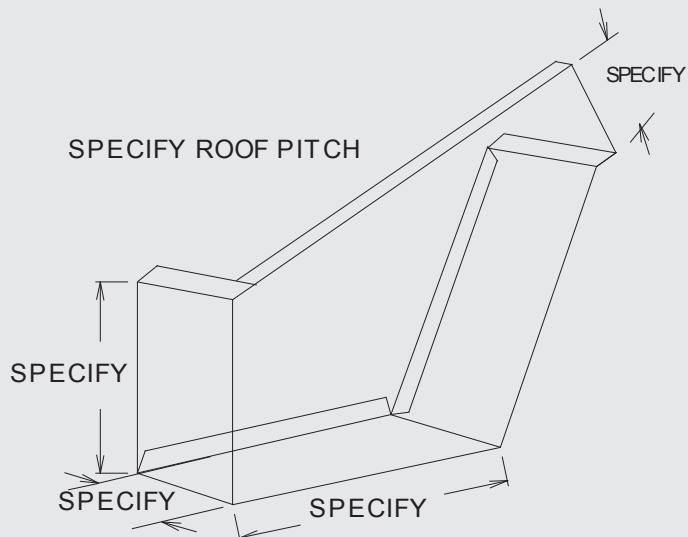


M-16E CUSTOM CORNER BOX (MORE THAN 24" SOFFIT)

M-16C ANGLED CORNER BOX

SPECIFY THE FOLLOWING:

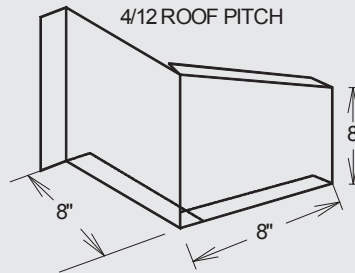
- EAVE SIZE (FACE AND SOFFIT)
- GABLE SIZE (FACE AND SOFFIT)
- ROOF PITCH
- QUANTITY (RIGHT HAND OR LEFT HAND)



STANDARD CORNER CAP

M-17 STANDARD CORNER CAP; 8 X 8 EAVE; 4/12 PITCH

RIGHT HAND OR LEFT HAND CORNER CAPS ARE DETERMINED BY FACING THE GABLE END OF THE BUILDING.

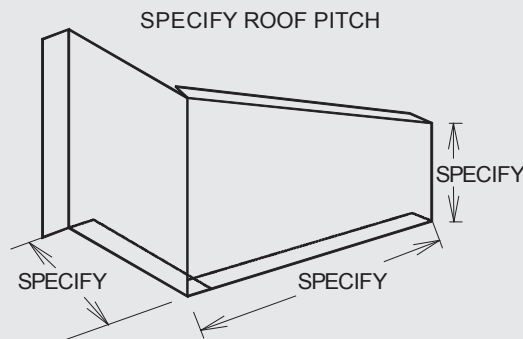


CUSTOM CORNER CAP

M-17A CUSTOM CORNER CAP

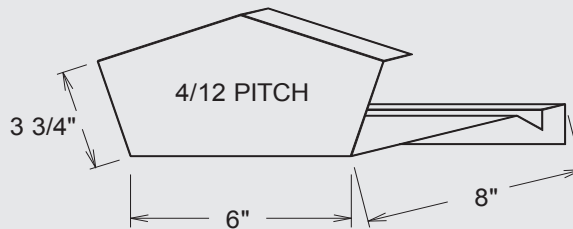
SPECIFY THE FOLLOWING:

- EAVE SIZE (FACE AND SOFFIT)
- GABLE SIZE (SOFFIT)
- ROOF PITCH
- QUANTITY (RIGHT HAND OR LEFT HAND)



STANDARD PEAK BOX

M-19 STANDARD PEAK BOX; 4 X 8 GABLE CORNICE; 4/12 PITCH
6" WIDE



CUSTOM PEAK BOX

M-19A CUSTOM PEAK BOX

SPECIFY THE FOLLOWING:

- GABLE SIZE (FACE AND SOFFIT)
- BASE OF PEAK BOX WIDTH
- ROOF PITCH



- USES**
- > CORNER CAPS ARE USED TO JOIN EAVE AND GABLE TRIM
 - > PEAK BOXES JOIN BOTH PIECES OF GABLE CORNICE AT PEAK



SECTION 4

ROOF FLASHINGS

PAGE 21

- M-20** STANDARD EAVESTARTER
- M20-1** CUSTOM EAVESTARTER PROFILE
- M20-2** CUSTOM EAVESTARTER C/W SAFETY EDGE PROFILE
- M20-3** CUSTOM EAVESTARTER WITHOUT DRIP PROFILE
- M20-4** CUSTOM GABLESTARTER WITH BOXED-OUT FACE PROFILE

PAGE 22

- M-12** STANDARD SIDEWALL FLASHING
- M-12A** STANDARD ENDWALL FLASHING
- M-12B** STANDARD ENDWALL FLASHING C/W 1" ON HORIZONTAL
- M-12C** STANDARD ENDWALL / SIDEWALL FLASHING C/W 1" X 1" BOXED-OUT
- M12-1** CUSTOM ENDWALL / SIDEWALL FLASHING PROFILE

PAGE 23

- M-1324** 24" V VALLEY
- M-1336** 36" V VALLEY
- M-1324A** 24" W VALLEY
- M-1336A** 36" W VALLEY
- M-1324B** 24" ARROWHEAD V VALLEY
- M-1336B** 36" ARROWHEAD V VALLEY
- M-1324C** 24" ARROWHEAD W VALLEY
- M-1336C** 36" ARROWHEAD W VALLEY



SECTION 4 CONT.

ROOF FLASHINGS

PAGE 24

- M-14 STANDARD HIP CAP**
- M-14A STANDARD INVERTED HIP CAP**
- M-14B COTTAGE RIDGE / HIP CAP**
- M14-1 CUSTOM HIP CAP PROFILE**

PAGE 25

- M-15 STANDARD RIDGE CAP**
- M-15S STANDARD RIDGE CAP C/W SAFETY EDGES**
- M-15A RESIDENTIAL RIDGE CAP**
- M15-1 CUSTOM RIDGE CAP PROFILE**

PAGE 26

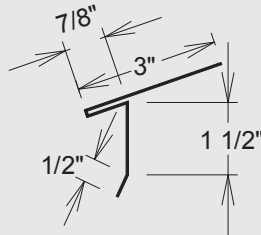
- M-21 STANDARD ICE/SNOW GUARD**
- M21A DOUBLE THICKNESS ICE/SNOW GUARD**
- M-22 STEP FLASHING**

STANDARD PROFILE

M-20 EAVESTARTER

SPECIFY ROOF PITCH

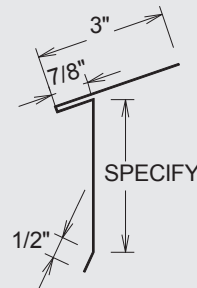
MATERIAL GIRTH: 5-7/8"



CUSTOM PROFILES AVAILABLE

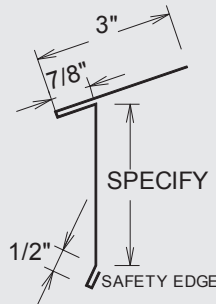
M20-1 EAVESTARTER

- SPECIFY DIMENSION FOR FACE
- SPECIFY ROOF PITCH
- DIMENSIONS CAN BE MODIFIED TO PREFERENCE



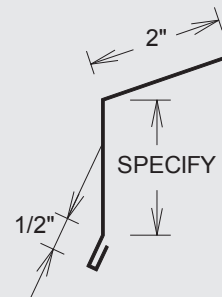
M20-2 EAVESTARTER C/W SAFETY EDGE

- SPECIFY DIMENSION FOR FACE
- SPECIFY ROOF PITCH
- DIMENSIONS CAN BE MODIFIED TO PREFERENCE



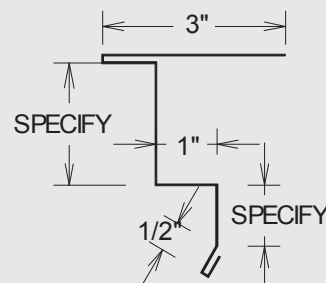
M20-3 EAVESTARTER WITHOUT DRIP

- SPECIFY DIMENSION FOR FACE
- SPECIFY ROOF PITCH
- DIMENSIONS CAN BE MODIFIED TO PREFERENCE



M20-4 GABLESTARTER WITH BOXED OUT FACE

- THE FACE OF THIS GABLE PROTRODES 1" PAST THE FASCIA BOARD TO ADD MORE CHARACTER
- SPECIFY DIMENSION FOR BOTH FACES
- DIMENSIONS CAN BE MODIFIED TO PREFERENCE



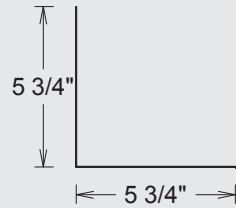
USES

- > FINISHES OFF THE EDGE OF THE ROOF TO PREVENT WATER FROM SEEPING UNDERNEATH THE ROOFING STEEL
- > EAVESTARTER CAN ALSO BE USED AS GABLESTARTER
- > USE M20-4 TO ADD MORE CHARACTER TO THE GABLE END

STANDARD PROFILE

M-12 SIDEWALL FLASHING

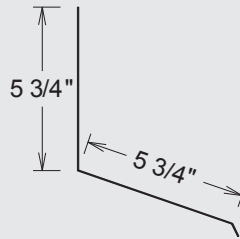
MATERIAL GIRTH: 12"



M-12A ENDWALL FLASHING

- SPECIFY ROOF PITCH

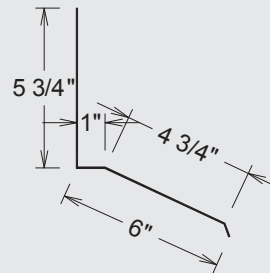
MATERIAL GIRTH: 12"



M-12B ENDWALL FLASHING WITH 1" ON HORIZONTAL

- SPECIFY ROOF PITCH
- DIMENSIONS CAN BE MODIFIED TO PREFERENCE

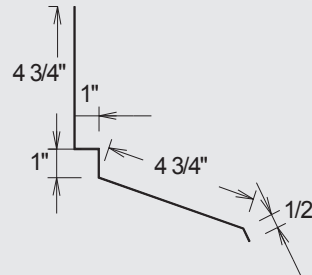
MATERIAL GIRTH: 12"



M-12C ENDWALL / SIDEWALL FLASHING WITH 1" X 1" BOXED OUT

- SPECIFY ROOF PITCH
- DIMENSIONS CAN BE MODIFIED TO PREFERENCE

MATERIAL GIRTH: 12"

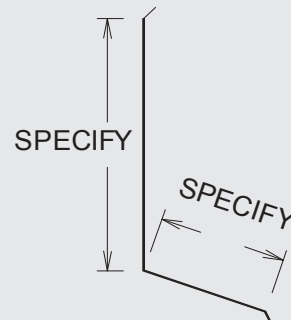


CUSTOM PROFILES AVAILABLE

M12-1 CUSTOM ENDWALL / SIDEWALL FLASHING

- SPECIFY VERTICAL AND HORIZONTAL DIMENSIONS
- A FLANGE FOR CAULKING OR A BRICK CUT IS ALSO AVAILABLE

CAULKING FLANGE



USES

- > DEFLECTS WATER FROM SIDING STEEL ONTO THE ROOF
- > SIDEWALL/ ENDWALL FLASHING WITH 1" X 1" BOXED OUT (M-12C) CLOSES THE BOTTOM OF SIDING PROVIDING A BETTER VISUAL APPEARANCE AND PROTECTION FROM WATER

STANDARD PROFILES

M-1324 24" V VALLEY

MATERIAL GIRTH: 24"

M-1336 36" V VALLEY

MATERIAL GIRTH: 36"

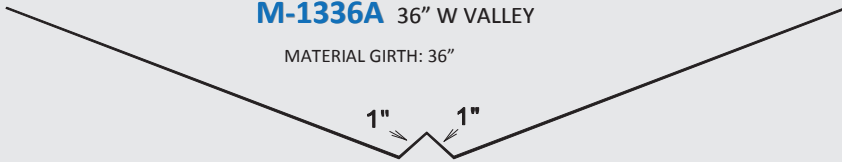


M-1324A 24" W VALLEY

MATERIAL GIRTH: 24"

M-1336A 36" W VALLEY

MATERIAL GIRTH: 36"

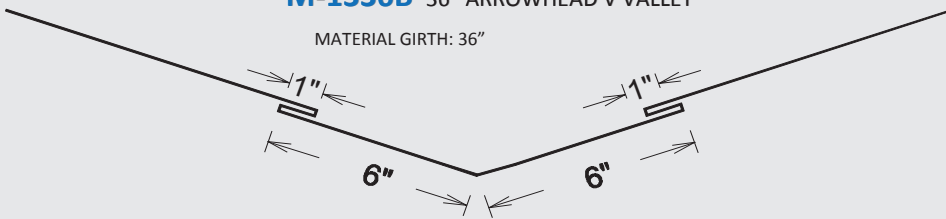


M-1324B 24" ARROWHEAD V VALLEY

MATERIAL GIRTH: 24"

M-1336B 36" ARROWHEAD V VALLEY

MATERIAL GIRTH: 36"



M-1324C 24" ARROWHEAD W VALLEY

MATERIAL GIRTH: 24"

M-1336C 36" ARROWHEAD W VALLEY

MATERIAL GIRTH: 36"



USES

- > PROVIDES A WATERTIGHT JOINT WHERE TWO SECTIONS OF A ROOF INTERSECT
- > THE 1" X 1" "W" ACTS AS A STOP TO PREVENT WATER FROM RUNNING DOWN ONE SIDE OF THE ROOF AND UP THE OPPOSITE SIDE.
- > ARROWHEAD VALLEY IS USED ON LARGE AND STEEP ROOFS WHERE KEEPING WATER OUT IS MORE OF A PROBLEM

STANDARD PROFILE

M-14 HIP CAP

SPECIFY BOTH ROOF SLOPES

MATERIAL GIRTH: 12"

M-14A INVERTED HIP CAP

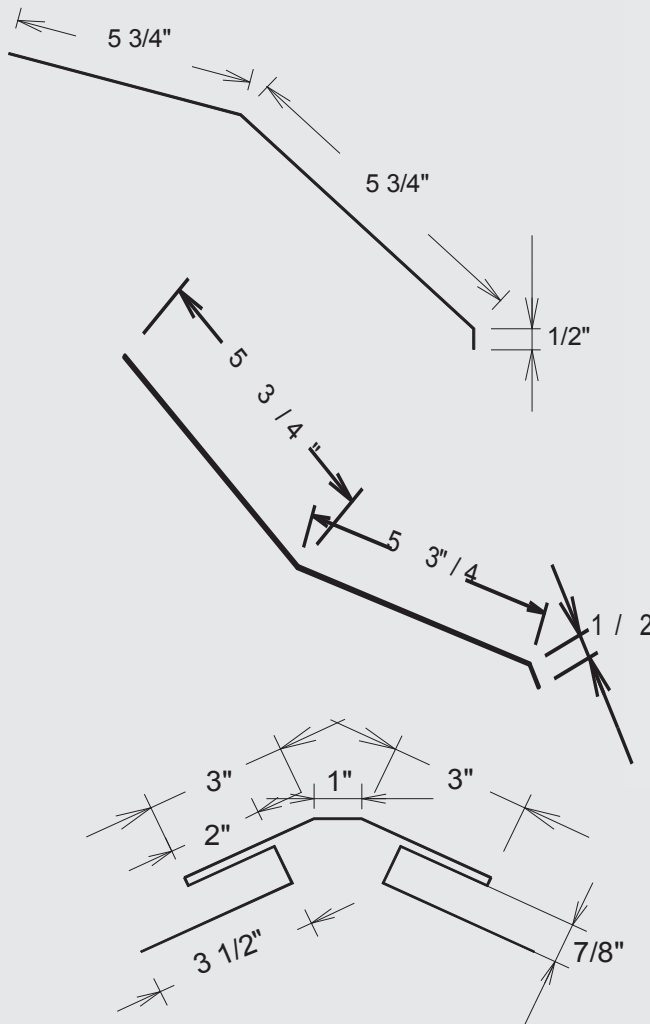
SPECIFY BOTH ROOF SLOPES

MATERIAL GIRTH: 12"

M-14B COTTAGE RIDGE / HIP CAP

- DIMENSIONS CAN BE CHANGED TO PREFERENCE

MATERIAL GIRTH: 19-3/4"



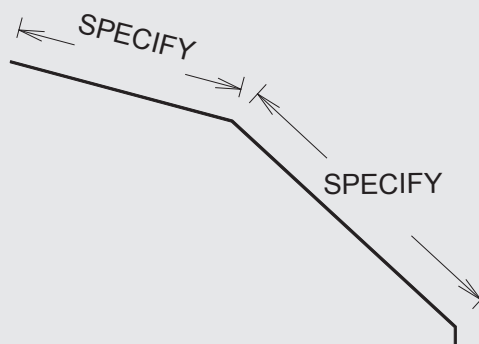
USES

- > COVERS THE JOINT OF THE ROOFING STEEL ON A HIP ROOF
- > HIP CAP IS USED FOR THE TRANSITION OF THE PITCH CHANGE ON A HIP ROOF
- > USE M-14B FOR THE HIP OF A COTTAGE ROOF TO HIDE THE CUT EDGE OF THE ROOFING. CAN BE INSTALLED WITH NO VISIBLE FASTENERS

CUSTOM PROFILES AVAILABLE

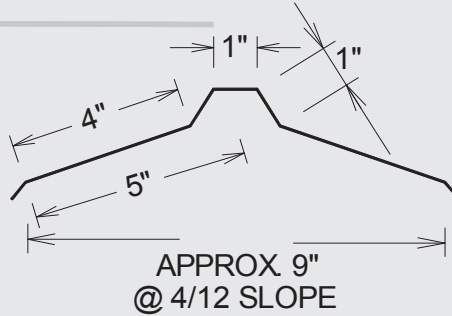
M14-1 CUSTOM HIP CAP PROFILE

- SPECIFY DIMENSIONS FOR DISTANCE ON BOTH ROOF SLOPES
- SPECIFY BOTH ROOF SLOPES



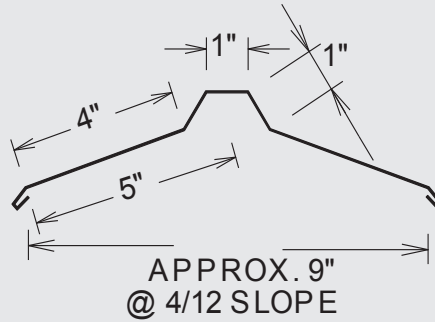
STANDARD PROFILE

M-15 RIDGE CAP
MATERIAL GIRTH: 12"

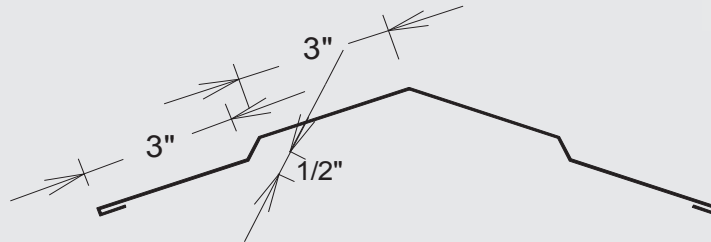


M-15S RIDGE CAP C/W SAFETY EDGES
MATERIAL GIRTH: 12-3/4"

- THIS PROFILE REDUCES THE TENDENCY TO DEFORM WHEN INSTALLING



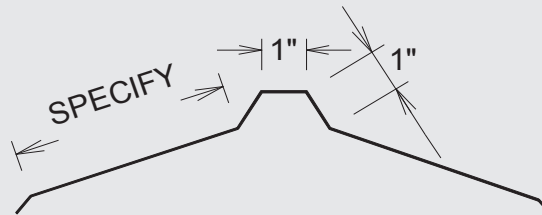
M-15A RESIDENTIAL RIDGE CAP
MATERIAL GIRTH: 13-3/4"



CUSTOM PROFILES AVAILABLE

M15-1 RIDGE CAP

- SPECIFY DIMENSIONS FOR DISTANCE ON ROOF



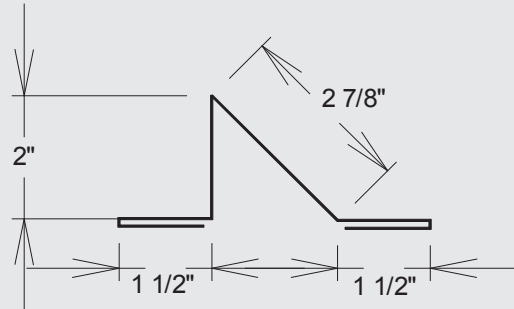
USES

- > USED TO COVER RIDGE ON ROOF
- > RIDGE CAP C/W SAFETY EDGES (M-15S) PROVIDES MORE RIGID FLANGES
- > ALSO CAN BE USED AS HIP CAP ON COTTAGE ROOFS

STANDARD PROFILES

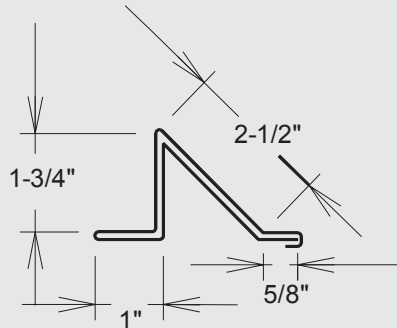
M-21 ICE/SNOW GUARD

MATERIAL GIRTH: 10-5/8"

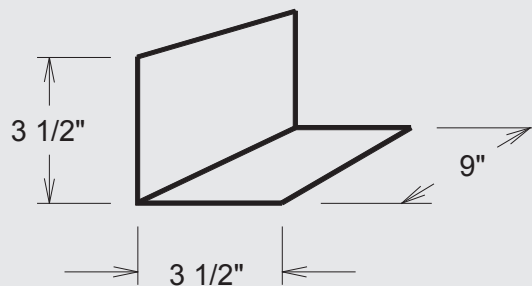


M-21A DOUBLE THICKNESS ICE/ SNOW GUARD

MATERIAL GIRTH: 12"



M-22 STEP FLASHING; 3 1/2" X 3 1/2" X 9"



ICE/SNOW GUARD STEP FLASHING

USES

- > ICE/SNOW GUARD HELPS PREVENT ICE AND SNOW FROM SLIDING DOWN ROOF AND BECOMING A POTENTIAL DANGER WHEN IT DROPS FROM THE EDGE OF THE ROOF
- > STEP FLASHING IS USED ON SHINGLE ROOFS AT THE INTERSECTION OF THE ROOF AND A WALL



SECTION 5

CORNER TRIM SOFFIT / SIDING JOINER FREEZE BOARD COVER

PAGE 28

- M-3** **STANDARD OUTSIDE CORNER**
- M-3A** **STANDARD COMMERCIAL OUTSIDE CORNER**
- M3-1** **CUSTOM OUTSIDE CORNER PROFILE**
- M3-2** **CUSTOM COMMERCIAL OUTSIDE CORNER PROFILE**

PAGE 29

- M-4** **STANDARD INSIDE CORNER**
- M-4A** **STANDARD COMMERCIAL INSIDE CORNER**
- M4-1** **CUSTOM INSIDE CORNER PROFILE**
- M4-2** **CUSTOM COMMERCIAL INSIDE CORNER PROFILE**

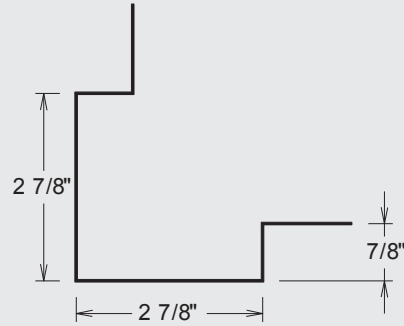
PAGE 30

- M-25** **SOFFIT SIDING JOINER**
- M-27** **COMMERCIAL SOFFIT / FREEZE BOARD JOINER**
- M-28** **STANDARD FREEZE BOARD COVER PROFILE**

STANDARD PROFILES

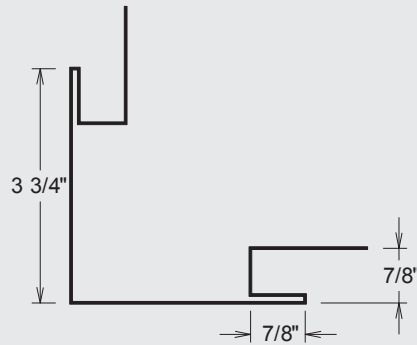
M-3 OUTSIDE CORNER

MATERIAL GIRTH: 10"



M-3A COMMERCIAL OUTSIDE CORNER

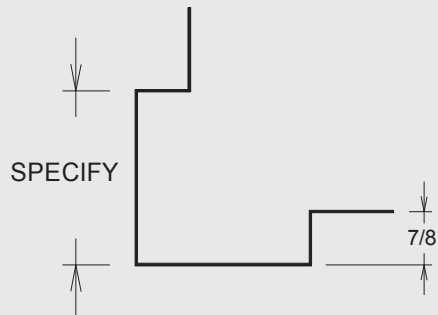
MATERIAL GIRTH: 15"



CUSTOM PROFILES AVAILABLE

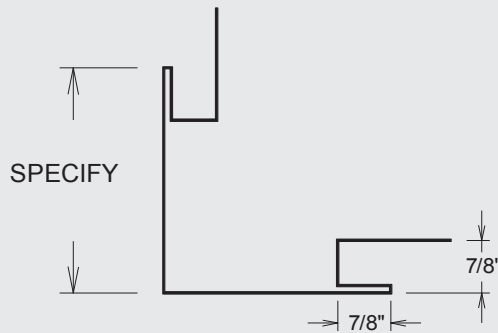
M3-1 CUSTOM OUTSIDE CORNER PROFILE

- SPECIFY DIMENSION FOR FACE
- BUILDOUT FOR STEEL PROFILE CAN BE ALSO CHANGED
- DIMENSIONS CAN BE MODIFIED TO PREFERENCE



M3-2 CUSTOM COMMERCIAL OUTSIDE CORNER PROFILE

- SPECIFY DIMENSION FOR FACE
- OPENING SIZE IN THE "J" CAN ALSO BE CHANGED
- DIMENSIONS CAN BE MODIFIED TO PREFERENCE

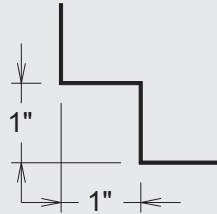


- ### USES
- > INTERSECTS SIDING STEEL ON CORNERS OF BUILDING
 - > COMMERCIAL OUTSIDE CORNER HIDES CUT EDGE OF SIDING STEEL

STANDARD PROFILES

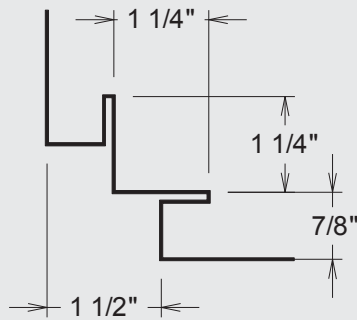
M-4 INSIDE CORNER

MATERIAL GIRTH: 4"



M-4A COMMERCIAL INSIDE CORNER

MATERIAL GIRTH: 9"



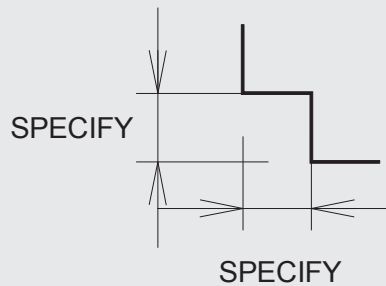
USES

- > INTERSECTS INSIDE CORNERS OF SIDING STEEL
- > TRANSITION OF CEILING AND SIDE STEEL FOR INTERIOR LINING
- > TRANSITION OF SOFFIT AND SIDING STEEL
- > COMMERCIAL INSIDE CORNER CONCEALS CUT EDGE OF SIDING STEEL

CUSTOM PROFILES AVAILABLE

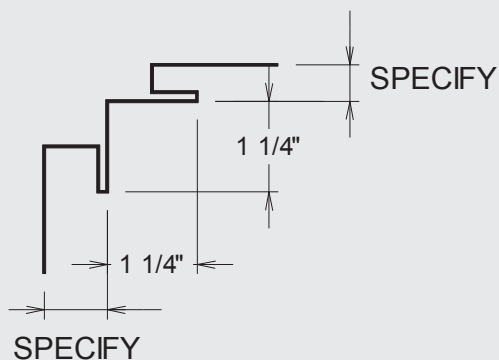
M4-1 CUSTOM INSIDE CORNER PROFILE

- SPECIFY OPENINGS ON BOTH SIDES
- DIMENSIONS CAN BE MODIFIED TO PREFERENCE



M4-2 CUSTOM COMMERCIAL INSIDE CORNER PROFILE

- CAN BE USED FOR THE INTERSECTION OF SOFFIT AND SIDING STEEL
- DIMENSIONS CAN BE MODIFIED TO PREFERENCE

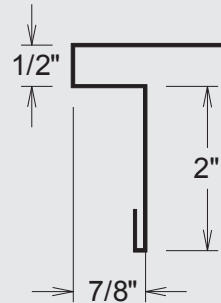


STANDARD PROFILES

M-25 SOFFIT/SIDING INSIDE CORNER

- USED TO INTERSECT SOFFIT AND SIDING STEEL
- DIMENSIONS CAN BE MODIFIED TO PREFERENCE

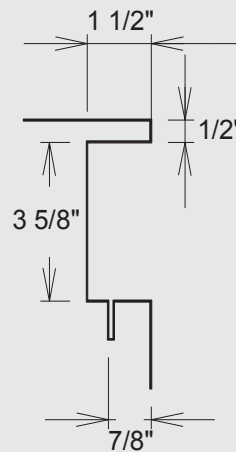
MATERIAL GIRTH: 6"



M-27 COMMERCIAL FREEZE BOARD / SOFFIT JOINER

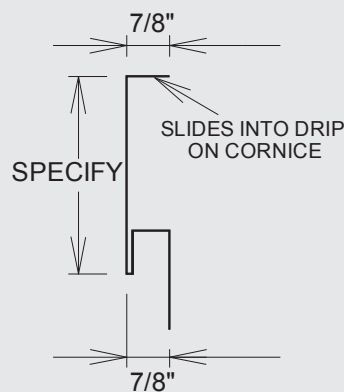
- INTERSECTION OF SOFFIT AND SIDING STEEL
- COVERS A 2 X 4
- DIMENSIONS CAN BE CHANGED TO PREFERENCE

MATERIAL GIRTH: 13-3/8"



M-28 STANDARD FREEZE BOARD COVER PROFILE

- SPECIFY FACE SIZE
- THE TOP OF THIS PROFILE SLIDES INTO DRIP ON CORNICE
- DIMENSIONS CAN BE CHANGED TO PREFERENCE



USES

- > M-25 SOFFIT / SIDING JOINER IS USED WHERE THE SOFFIT AND SIDING MEET. THIS PROVIDES MORE OF AN ACCENT THAN STANDARD J TRIM
- > M-27 COMMERCIAL FREEZE BOARD TRIM TRANSITIONS SOFFIT AND SIDING STEEL AND ALSO ADDS ADDITIONAL ACCENT TO THE BUILDING
- > M-28 FREEZE BOARD TRIM SLIDES INSIDE THE DRIP OPENING OF CORNICE. IT COVERS THE FREEZE BOARD AND ADDS ADDITIONAL ACCENT TO THE BUILDING



SECTION 6

GABLE DIVIDER SILL AND BASE TRIM J TRIM WINDOW TRIM

PAGE 32

- M-5 STANDARD GABLE DIVIDER
- M5-1 CUSTOM GABLE DIVIDER PROFILE
- M5-2 COMMERCIAL GABLE DIVIDER PROFILE
- M5-3 3D GABLE DIVIDER PROFILE
- M5-4 3D COMMERCIAL GABLE DIVIDER PROFILE

PAGE 33

- M-6 STANDARD SILL TRIM
- M-6A STANDARD BASE TRIM
- M-6B STANDARD ENCLOSED BASE TRIM
- M6-1 CUSTOM SILL TRIM PROFILE
- M6-2 CUSTOM ENCLOSED BASE TRIM PROFILE

PAGE 34

- M-9 STANDARD J TRIM
- M9-1 CUSTOM J TRIM PROFILE

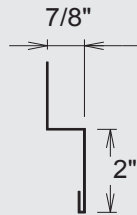
PAGE 35

- M-10 STANDARD WINDOW FLASHING
- M-10A STANDARD COMMERCIAL WINDOW FLASHING
- M-10M STANDARD MATCHING FACE WINDOW FLASHING
- M10-1 CUSTOM WINDOW FLASHING PROFILE
- M10-2 CUSTOM COMMERCIAL WINDOW FLASHING PROFILE

STANDARD PROFILE

M-5 GABLE DIVIDER

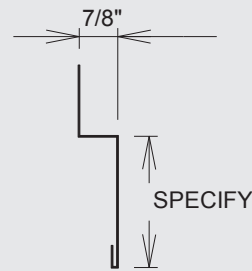
MATERIAL GIRTH: 5"



CUSTOM PROFILES AVAILABLE

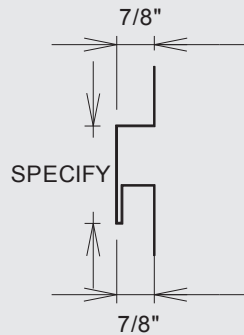
M5-1 GABLE DIVIDER

- SPECIFY DIMENSION FOR FACE
- DIMENSIONS CAN BE MODIFIED TO PREFERENCE



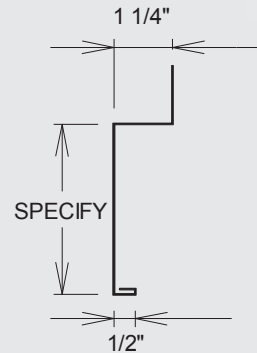
M5-2 COMMERCIAL GABLE DIVIDER

- SPECIFY DIMENSION FOR FACE
- DIMENSIONS CAN BE MODIFIED TO PREFERENCE



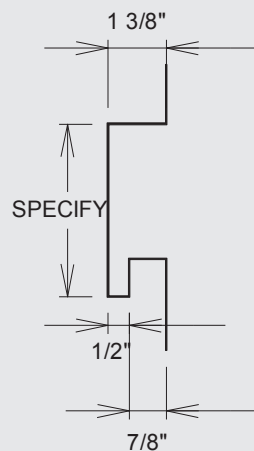
M5-3 GABLE DIVIDER 3D

- THE FACE OF THIS PROFILE PROTRUDES PAST THE SIDING STEEL TO GIVE IT A "3D" LOOK
- SPECIFY DIMENSION FOR FACE
- DIMENSIONS CAN BE MODIFIED TO PREFERENCE



M5-4 3D COMMERCIAL GABLE DIVIDER

- THE FACE OF THIS PROFILE PROTRUDES PAST THE SIDING STEEL TO GIVE IT A "3D" LOOK
- COVERS A 2X4 IF FACE IS 4 1/2" OR WIDER
- SPECIFY DIMENSION FOR FACE

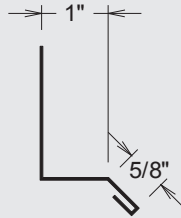


- ### USES
- > TRANSITION OF GABLE END SIDING STEEL
 - > COMMERCIAL GABLE DIVIDER HIDES CUT EDGE OF SIDING STEEL
 - > COMMERCIAL GABLE DIVIDER HAS AN ADDITIONAL NAILING FLANGE ON THE BOTTOM TO PROVIDE EXTRA RIGIDTY ON PROFILES WITH A WIDE FACE

STANDARD PROFILES

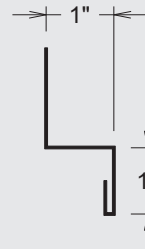
M-6 SILL TRIM

MATERIAL GIRTH: 4"



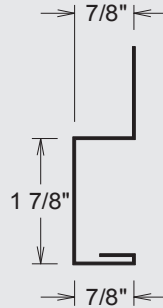
M-6A BASE TRIM

MATERIAL GIRTH: 4"



M-6B ENCLOSED BASE TRIM

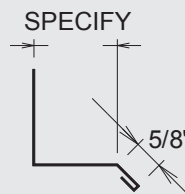
MATERIAL GIRTH: 5-1/2"



CUSTOM PROFILES AVAILABLE

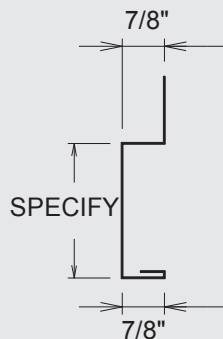
M6-1 CUSTOM SILL TRIM PROFILE

- SPECIFY DIMENSION FOR OFFSET
- DIMENSIONS CAN BE MODIFIED TO PREFERENCE



M6-2 CUSTOM ENCLOSED BASE TRIM PROFILE

- SPECIFY DIMENSION FOR FACE
- DIMENSIONS CAN BE MODIFIED TO PREFERENCE



SILL TRIM BASE TRIM

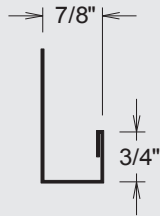
USES

- > SILL TRIM ABOVE DOOR FLASHING AND OTHER TRIM PREVENTS WATER FROM SEEPING BEHIND THE SIDING
- > BASE TRIM PROVIDES A DISTINCT FINISHED LOOK AT THE BOTTOM EDGE OF SIDING AND ALSO PREVENTS WATER FROM SEEPING BEHIND SIDING
- > ENCLOSED BASE TRIM HAS A WIDER FACE. IT ALSO HAS THE BOTTOM ENCLOSED TO IMPROVE THE FINISHED APPEARANCE

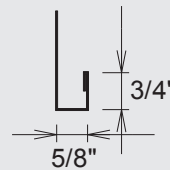
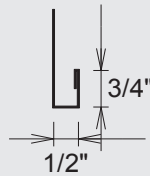
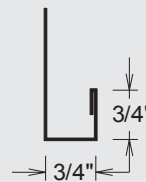
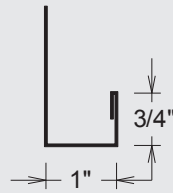
STANDARD PROFILE

M-9 J TRIM

MATERIAL GIRTH: 4"



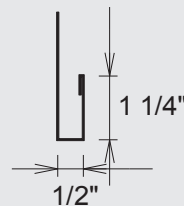
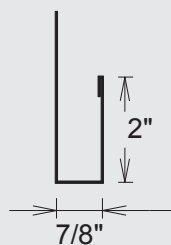
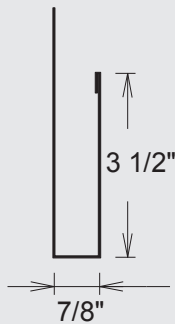
- SPECIFY 1", 7/8", 3/4", 5/8", OR 1/2" OPENING
- FOR OTHER DIMENSIONS USE CODE BELOW



CUSTOM PROFILES AVAILABLE

M9-1 CUSTOM J TRIM PROFILE

- SPECIFY DIMENSIONS FOR FACE AND OPENING
- BELOW ARE SOME SIZES POSSIBLE TO MAKE
- NOT ALL SIZES ARE POSSIBLE TO PRODUCE; FOR WIDE-FACED J TRIM PLEASE ASK FOR AVAILABILITY AT TIME OF ORDERING

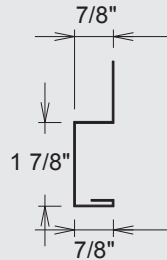


- USES
- > USED TO TRIM AROUND OPENINGS IN WALLS
 - > USED FOR INTERIOR LINING TO FINISH OFF EDGE OF STEEL
 - > USED TO ENCLOSE EDGE OF SOFFIT PANEL

STANDARD PROFILES

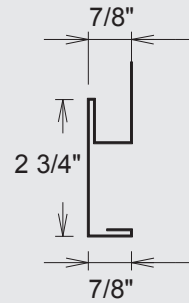
M-10 WINDOW FLASHING

MATERIAL GIRTH: 5-1/2"



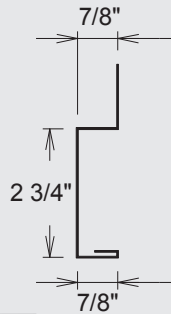
M-10A COMMERCIAL WINDOW FLASHING

MATERIAL GIRTH: 7-1/2"



M-10M WINDOW FLASHING TO MATCH COMMERCIAL FACE

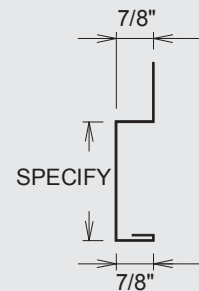
MATERIAL GIRTH: 6-3/8"



CUSTOM PROFILES AVAILABLE

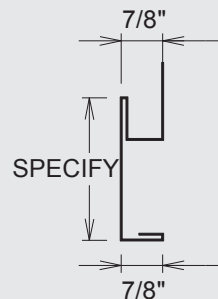
M10-1 CUSTOM WINDOW FLASHING PROFILE

- SPECIFY DIMENSION FOR FACE
- DIMENSIONS CAN BE MODIFIED TO PREFERENCE



M10-2 CUSTOM COMMERCIAL WINDOW FLASHING PROFILE

- SPECIFY DIMENSION FOR FACE
- DIMENSIONS CAN BE MODIFIED TO PREFERENCE



USES

- > USED TO TRIM AROUND WINDOWS
- > USE COMMERCIAL WINDOW TRIM TO HIDE CUT EDGE OF STEEL
- > USE M-10M ABOVE THE WINDOW SINCE WATER CAN BE TRAPPED INSIDE IF THE COMMERCIAL PROFILE IS USED



SECTION 7

DOOR JAMB TRIM

PAGE 37

- M-7 STANDARD DOOR JAMB PROFILE**
- M-7C STANDARD COMMERCIAL DOOR JAMB PROFILE**
- M-7M STANDARD DOOR JAMB TO MATCH COMMERCIAL PROFILE**

PAGE 38

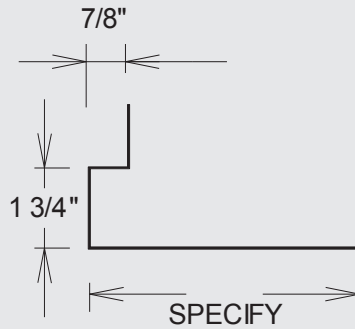
- M-7A STANDARD DOOR JAMB C/W SAFETY EDGE PROFILE**
- M-7CA STANDARD COMMERCIAL DOOR JAMB C/W SAFETY EDGE PROFILE**
- M-7MA STANDARD DOOR JAMB TO MATCH COMMERCIAL C/W SAFETY EDGE PROFILE**

PAGE 39

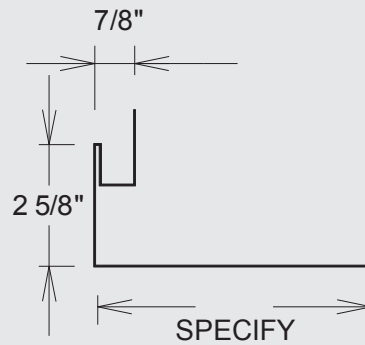
- M-7B STANDARD DOOR JAMB C/W FLANGE PROFILE**
- M-7CB STANDARD COMMERCIAL DOOR JAMB C/W FLANGE PROFILE**
- M-7MB STANDARD DOOR JAMB TO MATCH COMMERCIAL C/W FLANGE PROFILE**

STANDARD PROFILES

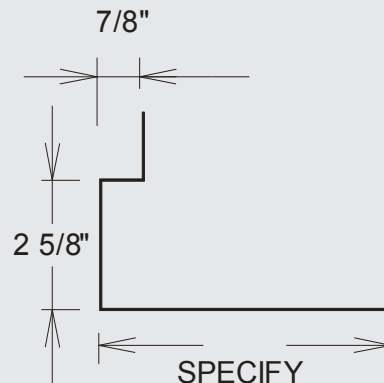
M-7 DOOR JAMB



M-7C COMMERCIAL DOOR JAMB



M-7M DOOR JAMB TO MATCH COMMERCIAL



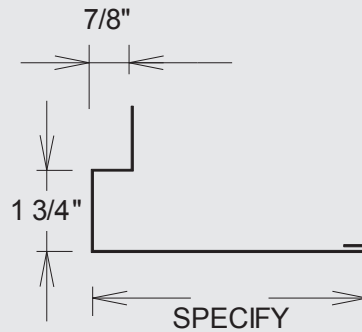
DOOR JAMB

USES

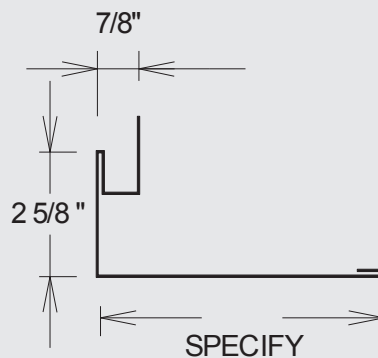
- > COVERS DOOR JAMB WOOD
- > PREVENTS WATER FROM SEEPING BEHIND SIDING
- > COMMERCIAL DOOR JAMB HIDES CUT EDGE OF SIDING STEEL
- > DOOR JAMB TO MATCH COMMERCIAL IS USED AT TOP OF DOOR OPENING TO ALLOW WATER TO DRAIN OUT

STANDARD PROFILES

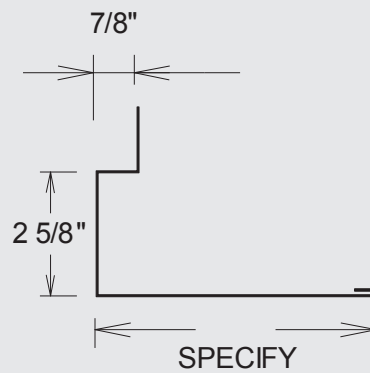
M-7A DOOR JAMB WITH SAFETY EDGE



M-7CA COMMERCIAL DOOR JAMB WITH SAFETY EDGE



M-7MA DOOR JAMB TO MATCH COMMERCIAL WITH SAFETY EDGE



DOOR JAMB C/W SAFETY EDGE

USES

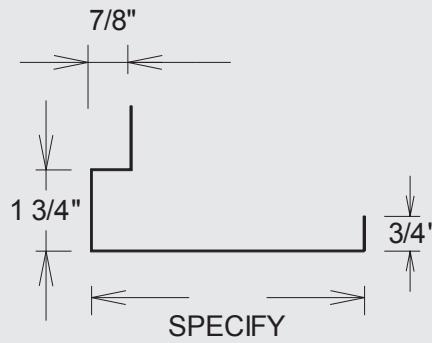
- > COVERS DOOR JAMB WOOD
- > PREVENTS WATER FROM SEEPING BEHIND SIDING
- > COMMERCIAL DOOR JAMB HIDES CUT EDGE OF SIDING STEEL
- > DOOR JAMB TO MATCH COMMERCIAL IS USED AT TOP OF DOOR OPENING TO ALLOW WATER TO DRAIN OUT

STANDARD PROFILES

USES

M-7B DOOR JAMB WITH A FLANGE

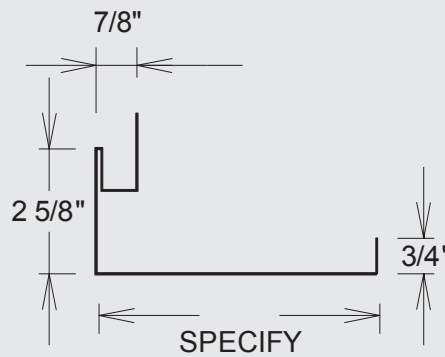
- FLANGE DIMENSION CAN BE CHANGED TO SUIT REQUIREMENT.
- MAN DOOR JAMB CAN BE MADE WITH A 1/4" FLANGE TO INSERT BEHIND THE WEATHERSTRIP



- > COVERS DOOR JAMB WOOD
- > PREVENTS WATER FROM SEEPING BEHIND SIDING
- > COMMERCIAL DOOR JAMB HIDES CUT EDGE OF SIDING STEEL
- > DOOR JAMB TO MATCH COMMERCIAL IS USED AT TOP OF DOOR OPENING TO ALLOW WATER TO DRAIN OUT

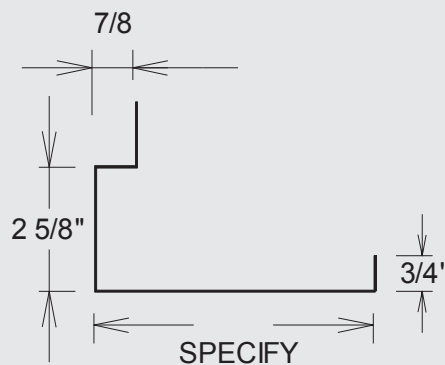
M-7CB COMMERCIAL DOOR JAMB WITH A FLANGE

- FLANGE DIMENSION CAN BE CHANGED TO PREFERENCE.
- MAN DOOR JAMB CAN BE MADE WITH A 1/4" FLANGE TO INSERT BEHIND THE WEATHERSTRIP



M-7MB DOOR JAMB TO MATCH COMMERCIAL WITH A FLANGE

- FLANGE DIMENSION CAN BE CHANGED TO PREFERENCE.
- MAN DOOR JAMB CAN BE MADE WITH A 1/4" FLANGE TO INSERT BEHIND THE WEATHERSTRIP





SECTION 8

ROLL DOOR CASING TRACK COVER TRACK BOARD COVER

PAGE 41

- M-8 STANDARD DOOR CASING (1-1/2" THICK DOOR)
- M-8C STANDARD COMMERCIAL DOOR CASING (1-1/2" THICK DOOR)
- M-8M STANDARD DOOR CASING TO MATCH COMMERCIAL (1-1/2" THICK DOOR)

PAGE 42

- M-8A STANDARD DOOR CASING (3-5/8" THICK DOOR)
- M-8AC STANDARD COMMERCIAL DOOR CASING (3-5/8" THICK DOOR)
- M-8AM STANDARD DOOR CASING TO MATCH COMMERCIAL (3-5/8" THICK DOOR)

PAGE 43

- M8-1 CUSTOM DOOR CASING PROFILE
- M8-2 CUSTOM COMMERCIAL DOOR CASING PROFILE

PAGE 44

- M-11 STANDARD ROUND TRACK COVER
- M-18 STANDARD ROUND TRACK COVER END CAPS
- M-11D STANDARD ROUND TRACK COVER BRACKETS

PAGE 45

- M-11B STANDARD DOUBLE ROUND TRACK COVER
- M-18A STANDARD DOUBLE ROUND TRACK COVER END CAPS
- M-11DA STANDARD DOUBLE ROUND TRACK COVER BRACKETS

PAGE 46

- M-11H STANDARD CURTAIN FLASHING
- M-18H STANDARD CURTAIN FLASHING END CAPS
- M-11HB STANDARD CURTAIN FLASHING BRACKETS

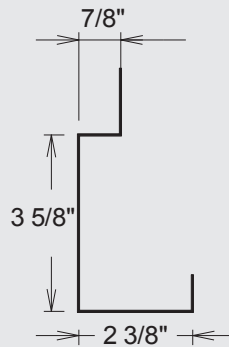
PAGE 47

- M-29 TRACK BOARD COVER PROFILE
- M-30 COMMERCIAL TRACK BOARD COVER PROFILE

STANDARD PROFILES

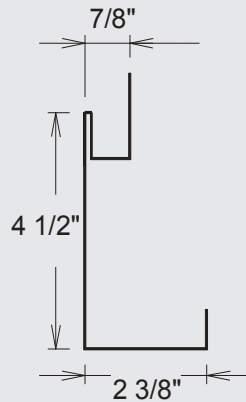
M-8 DOOR CASING

MATERIAL GIRTH: 9"



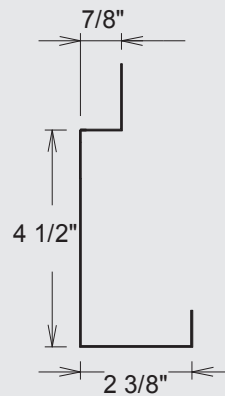
M-8C COMMERCIAL DOOR CASING

MATERIAL GIRTH: 11"



M-8M DOOR CASING TO MATCH COMMERCIAL FACE

MATERIAL GIRTH: 9-7/8"



1-1/2" DOOR CASING

USES

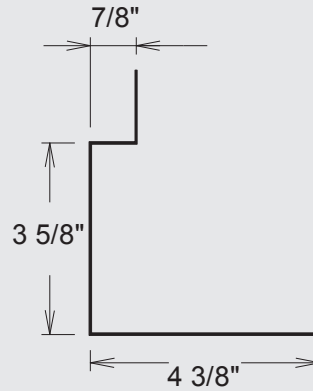
- > ENCLOSURES TOP, SIDES AND BOTTOM OF ROLL DOOR
- > COMMERCIAL DOOR CASING HIDES CUT EDGE ON SIDING
- > MATCHING FACE DOOR CASING IS USED ALONG THE BOTTOM EDGE OF THE DOOR TO ALLOW WATER TO DRAIN PROPERLY



STANDARD PROFILES

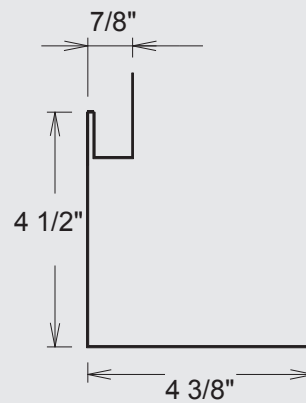
M-8A DOOR CASING FOR 3-1/2" THICK DOOR (2 X 4 ON FLAT)

MATERIAL GIRTH: 11"



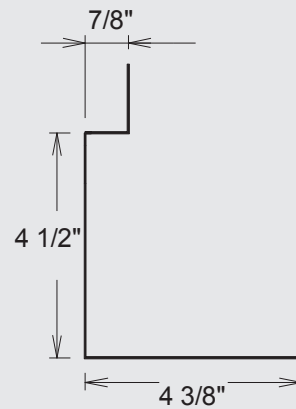
M-8AC COMMERCIAL DOOR CASING FOR 3-1/2" THICK DOOR (2 X 4 ON FLAT)

MATERIAL GIRTH: 13"



M-8AM DOOR CASING TO MATCH COMMERCIAL FOR 3-1/2" THICK DOOR (2 X 4 ON FLAT)

MATERIAL GIRTH: 11-7/8"



3-1/2" DOOR CASING

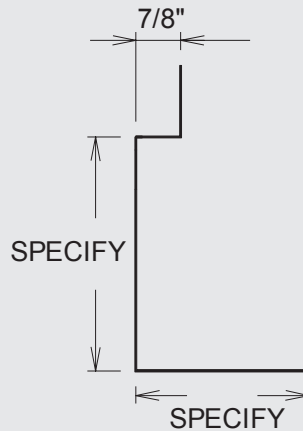
USES

- > ENCLOSURES TOP, SIDES AND BOTTOM OF ROLL DOOR
- > COMMERCIAL DOOR CASING HIDES CUT EDGE ON SIDING
- > MATCHING FACE DOOR CASING IS USED ON THE BOTTOM OF THE DOOR TO ALLOW WATER TO DRAIN PROPERLY

CUSTOM PROFILES AVAILABLE

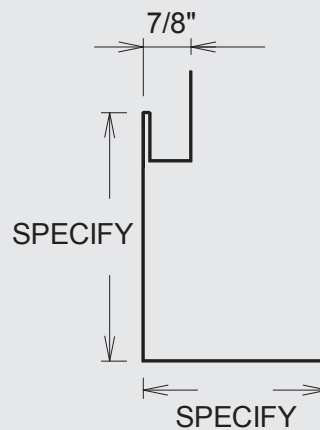
M8-1 CUSTOM DOOR CASING PROFILE

- SPECIFY DIMENSION FOR FACE AND RETURN
- DIMENSIONS CAN BE MODIFIED TO PREFERENCE



M8-2 CUSTOM COMMERCIAL DOOR CASING PROFILE

- SPECIFY DIMENSION FOR FACE AND RETURN
- DIMENSIONS CAN BE MODIFIED TO PREFERENCE



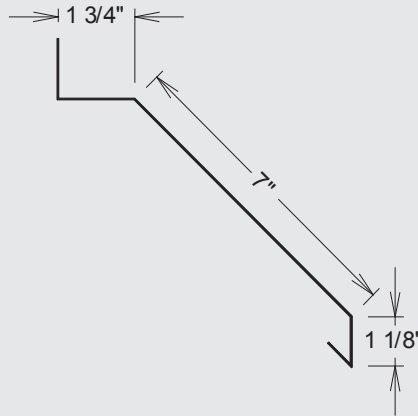
USES

- > ENCLOSURES TOP, SIDES AND BOTTOM OF ROLL DOOR
- > COMMERCIAL DOOR CASING HIDES CUT EDGE ON SIDING
- > MATCHING FACE DOOR CASING IS USED ON THE BOTTOM OF THE DOOR TO ALLOW WATER TO DRAIN PROPERLY

STANDARD PROFILE

M-11 ROUND TRACK COVER

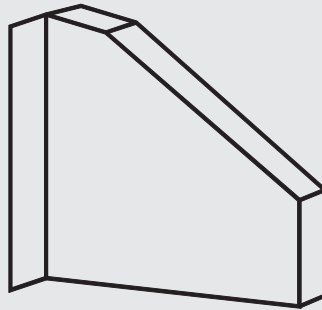
MATERIAL GIRTH: 12"



M-18 ROUND TRACK COVER END CAPS

ORDER IN SETS (LEFT HAND AND RIGHT HAND)

RIGHT OR LEFT HAND DETERMINED FACING THE WALL



M-11D TRACK COVER BRACKETS

MADE OUT OF 16 GAUGE GALVANIZED C/W 2 HOLES FOR FASTENING

ROUND TRACK COVER

USES

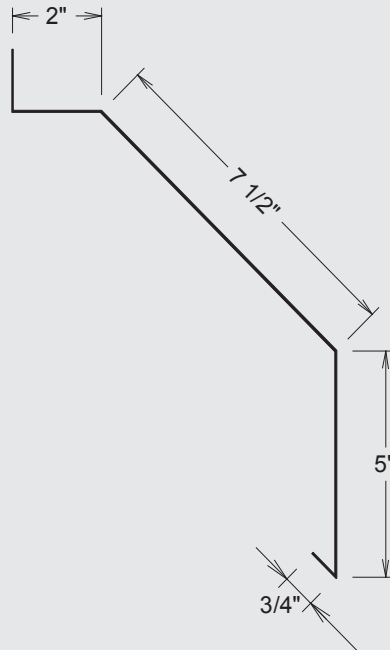
- > USED TO TRIM ABOVE ROLL-DOOR TRACK TO DEFLECT WATER AWAY FROM THE TOP OF THE DOOR
- > END CAPS CLOSE IN THE ENDS FOR A MORE COMPLETE LOOK
- > TRACK COVER BRACKETS ARE AVAILABLE FOR TRACKS WHICH DO NOT HAVE BRACKETS



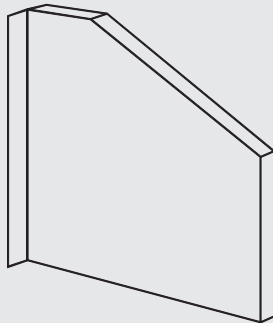
STANDARD PROFILE

M-11B DOUBLE ROUND TRACK COVER

MATERIAL GIRTH: 16-3/4"



M-18A DOUBLE ROUND TRACK COVER END CAPS



M-11DA TRACK COVER BRACKETS

MADE OUT OF 16 GAUGE GALVANIZED C/W 2 HOLES FOR FASTENING

DOUBLE ROUND TRACK COVER

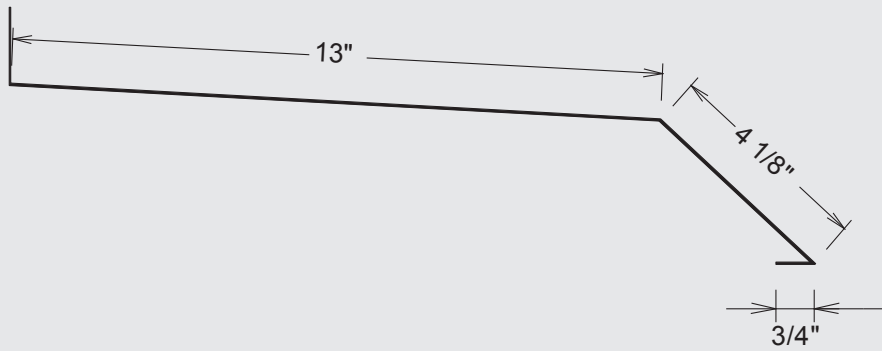
USES

- > USED TO TRIM ABOVE ROLL-DOOR TRACK TO DEFLECT WATER AWAY FROM THE TOP OF THE DOOR
- > END CAPS CLOSE IN THE ENDS FOR A MORE COMPLETE LOOK
- > TRACK COVER BRACKETS ARE AVAILABLE FOR TRACKS WHICH DO NOT HAVE BRACKETS

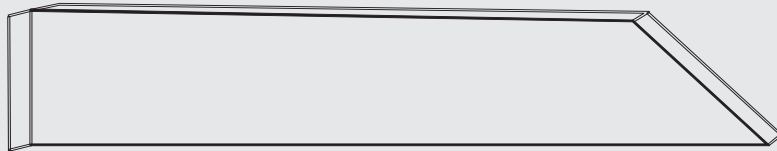
STANDARD PROFILE

M-11H CURTAIN FLASHING

MATERIAL GIRTH: 19-3/8"



M-11HA CURTAIN FLASHING END CAPS



M-11HB CURTAIN FLASHING BRACKETS

MADE OUT OF 12 GAUGE GALVANIZED C/W 2 HOLES FOR FASTENING

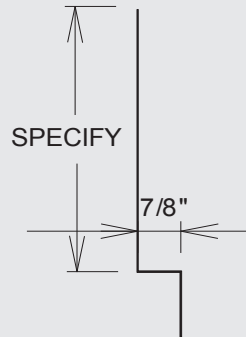
USES

- > CURTAIN FLASHING IS INSTALLED ABOVE BARN CURTAINS TO DEFLECT RAIN AND SNOW AWAY FROM THE TOP OF THE OPENING
- > END CAPS CLOSE IN THE ENDS FOR A MORE COMPLETE LOOK
- > CURTAIN FLASHING BRACKETS AVAILABLE TO SUPPORT THE FLASHING (RECOMMENDED TO INSTALL BRACKETS AT 2' CENTRES)

STANDARD PROFILES

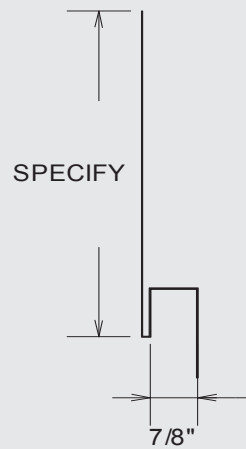
M-29 STANDARD TRACK BOARD COVER PROFILE

- DIMENSIONS CAN BE CHANGED TO PREFERENCE



M-30 COMMERCIAL TRACK BOARD COVER PROFILE

- DIMENSIONS CAN BE CHANGED TO PREFERENCE



USES

- > STANDARD TRACK BOARD COVER COVERS THE WOOD THE TRACK IS MOUNTED ON
- > COMMERCIAL TRACK BOARD COVER A HAS BUILT-IN J TO ACCOMMODATE SIDING STEEL



SECTION 9

INTERIOR LINING TRIM

2X6 COVER

BEAM COVER

POST COVER

DOUBLE DOOR JAMB

COMM. CEILING JOINER

PAGE 49

- M-26 2X6 COVER
- M-26A 2X6 COVER C/W ONE NAIL FLANGE
- M-26B 2X6 COVER C/W TWO NAIL FLANGES (HAT TRIM)

PAGE 50

- M-26C COMMERCIAL 2X6 COVER
- M-31 BEAM COVER PROFILE
- M-32 6X6 POST COVER

PAGE 51

- M-33 DOUBLE DOOR JAMB PROFILE
- M-33C COMMERCIAL DOUBLE DOOR JAMB PROFILE
- M-33M DOUBLE DOOR JAMB TO MATCH COMMERCIAL PROFILE

PAGE 52

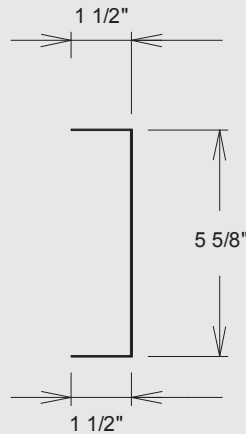
- M-34 CEILING JOINER TRIM
- M-34C COMMERCIAL CEILING JOINER TRIM

STANDARD PROFILES

M-26 2 X 6 COVER

- FACE CAN ALSO BE CHANGED TO CAP 2X4, 2X8 ETC.
- DIMENSIONS CAN BE CHANGED TO PREFERENCE

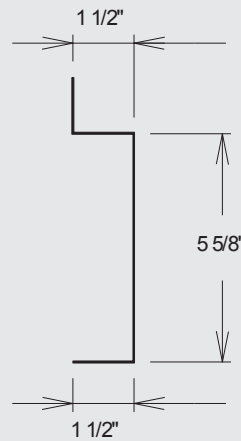
MATERIAL GIRTH: 8-5/8"



M-26A 2 X 6 COVER C/W NAIL FLANGE

- NAIL FLANGE ON ONE SIDE
- FACE CAN ALSO BE CHANGED TO CAP 2X4, 2X8 ETC.
- DIMENSIONS CAN BE CHANGED TO PREFERENCE

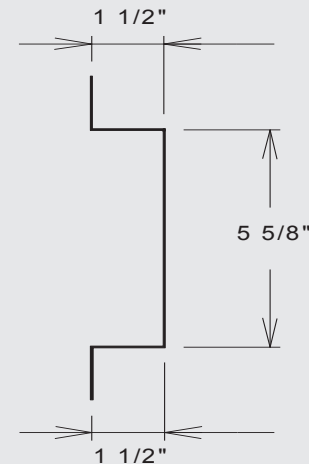
MATERIAL GIRTH: 10"



M-26AS 2 X 6 COVER C/W NAIL FLANGE & SAFETY EDGE

- SAME PROFILE AS M-26A WITH 1/2" HEM ON 1-1/2" FLANGE
- FACE CAN ALSO BE CHANGED TO CAP 2X4, 2X8 ETC.
- DIMENSIONS CAN BE CHANGED TO PREFERENCE

MATERIAL GIRTH: 10.5"



M-26B 2 X 6 COVER C/W 2 NAIL FLANGES (HAT TRIM)

- NAIL FLANGES ON BOTH SIDES
- FACE CAN ALSO BE CHANGED TO CAP 2X4, 2X8 ETC.
- DIMENSIONS CAN BE CHANGED TO PREFERENCE

MATERIAL GIRTH: 11-3/8"

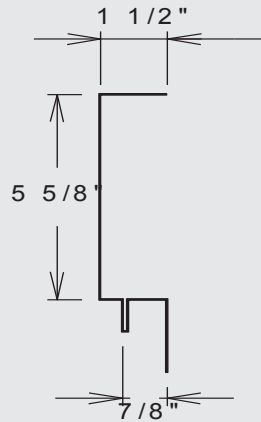
- USES
- > USED FOR COVERING WOOD FOR INTERIOR LINING
 - > PROTECTS WOOD FROM MOISTURE
 - > PROVIDES A MORE COMPLETE LOOK FOR THE INTERIOR OF A BUILDING

STANDARD PROFILES

M-26C COMMERCIAL 2 X 6 COVER

- BUILT-IN J FOR SIDING STEEL
- FACE CAN ALSO BE CHANGED TO CAP 2X4, 2X8 ETC.
- DIMENSIONS CAN BE CHANGED TO PREFERENCE

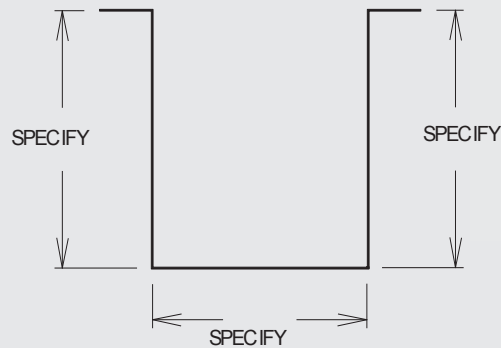
MATERIAL GIRTH: 12"



- USES
- > USED FOR COVERING WOOD FOR INTERIOR LINING
 - > PROTECTS WOOD FROM MOISTURE
 - > PROVIDES A MORE COMPLETE LOOK FOR THE INTERIOR OF A BUILDING

M-31 BEAM COVER PROFILE

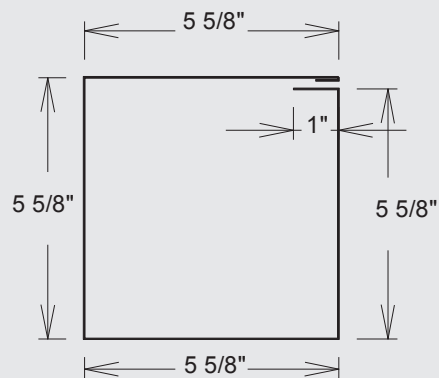
- NAIL FLANGES ON BOTH SIDES
- DIMENSIONS CAN BE CHANGED TO PREFERENCE



M-32 6 X 6 POST COVER

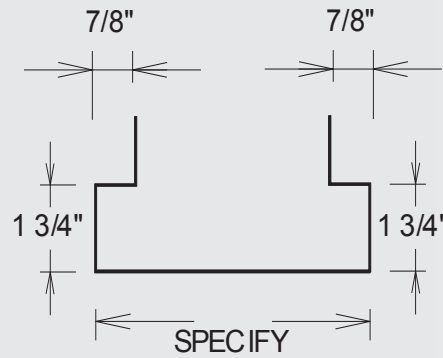
- ALSO AVAILABLE FOR 6X8, 8X8 ETC.
- DIMENSIONS CAN BE CHANGED TO PREFERENCE

MATERIAL GIRTH: 24"

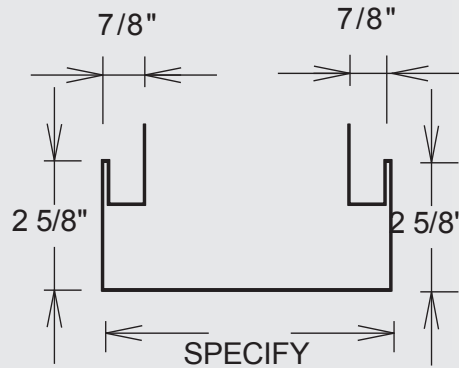


STANDARD PROFILES

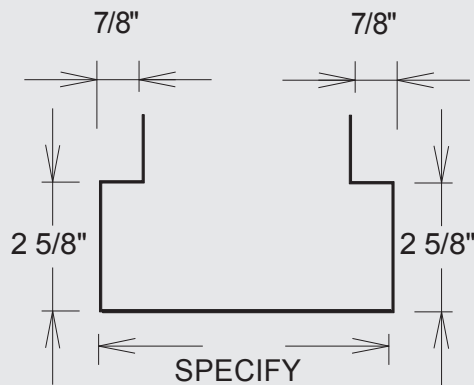
M-33 DOUBLE DOOR JAMB PROFILE



M-33C COMMERCIAL DOUBLE DOOR JAMB PROFILE



M-33M DOUBLE DOOR JAMB TO MATCH COMMERCIAL PROFILE



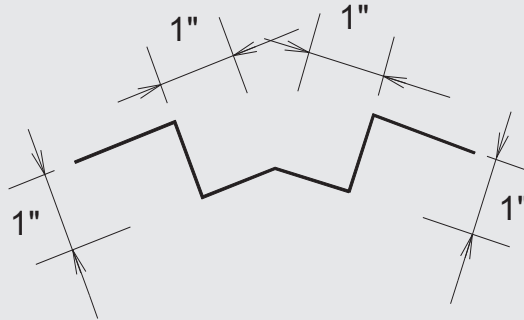
USES

- > COVERS THE WOOD ON AN ARCHWAY
- > PREVENTS WATER FROM SEEPING BEHIND SIDING
- > COMMERCIAL DOUBLE DOOR JAMB HIDES CUT EDGE OF SIDING STEEL
- > DOUBLE DOOR JAMB TO MATCH COMMERCIAL IS USED AT TOP OF ARCHWAYS TO ALLOW WATER TO DRAIN PROPERLY

STANDARD PROFILES

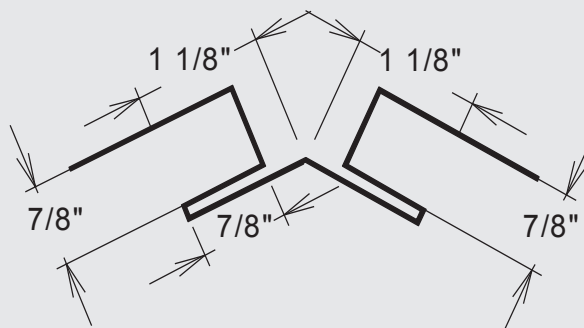
M-34 CEILING JOINER TRIM; SPECIFY PITCH

MATERIAL GIRTH: 6 3/4"



M-34C COMMERCIAL CEILING JOINER TRIM; SPECIFY PITCH

MATERIAL GIRTH: 9"



USES

- > USE TO INTERSECT TWO SHEETS OF STEEL AT THE PEAK OF A CATHEDRAL CEILING
- > USE COMMERCIAL CEILING JOINER TO HIDE THE CUT EDGE OF THE STEEL



SECTION 10

COMMERCIAL TRIM (1-1/2" SIDING)

PAGE 54

- M-203 COMMERCIAL OUTSIDE CORNER (1-1/2" SIDING)**
- M-204 COMMERCIAL INSIDE CORNER (1-1/2" SIDING)**
- M-205 COMMERCIAL BASE TRIM (1-1/2" SIDING)**
- M-205A COMMERCIAL BASE TRIM DOUBLE-SIDED (1-1/2" SIDING)**

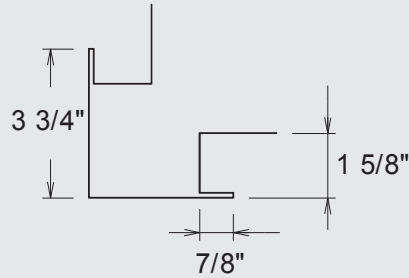
PAGE 55

- M-206 COMMERCIAL SILL TRIM (1-1/2" SIDING)**
- M-206A COMMERCIAL SILL TRIM DOUBLE-SIDED (1-1/2" SIDING)**
- M-209 COMMERCIAL J TRIM (1-1/2" SIDING)**
- M-209A COMMERCIAL J TRIM DOUBLE-SIDED (1-1/2" SIDING)**
- M-209B COMMERCIAL J TRIM COLOUR INSIDE (1-1/2" SIDING)**

STANDARD PROFILE

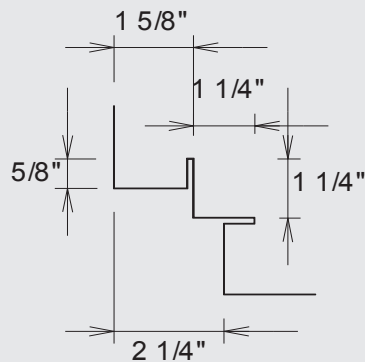
M-203 COMMERCIAL OUTSIDE CORNER

MATERIAL GIRTH: 16-1/2"



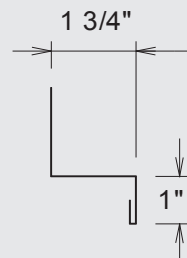
M-204 COMMERCIAL INSIDE CORNER

MATERIAL GIRTH: 10-1/2"



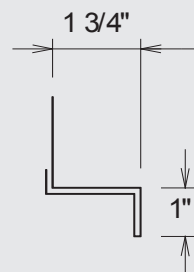
M-205 COMMERCIAL BASE TRIM

MATERIAL GIRTH: 5-1/8"



M-205A COMMERCIAL BASE TRIM (DOUBLE SIDED)

MATERIAL GIRTH: 7-7/8"



COMMERCIAL TRIM

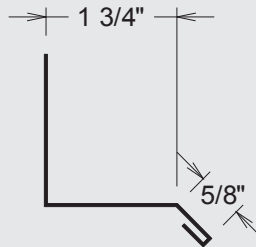
USES

- > USED ON COMMERCIAL AND INDUSTRIAL BUILDINGS WHERE 1-1/2" PROFILE STEEL SIDING IS USED
- > USE 26 GAUGE OR 24 GAUGE MATERIAL FOR A STRONGER AND LONGER LASTING TRIM. (NOT ALL COLOURS AVAILABLE IN 26 OR 24 GAUGE)

STANDARD PROFILE

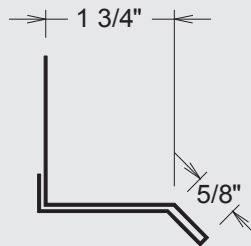
M-206 COMMERCIAL SILL TRIM

MATERIAL GIRTH: 4-7/8"



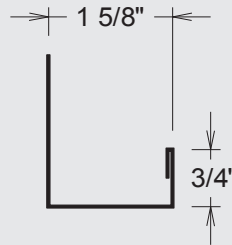
M-206A COMMERCIAL SILL TRIM (DOUBLE SIDED)

MATERIAL GIRTH: 7"



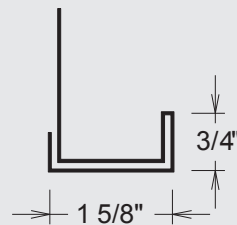
M-209 COMMERCIAL J TRIM

MATERIAL GIRTH: 4-7/8"



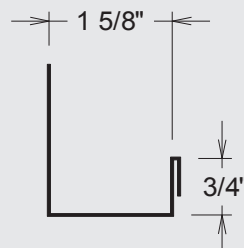
M-209A COMMERCIAL J TRIM (DOUBLE SIDED)

MATERIAL GIRTH: 7"



M-209B COMMERCIAL J TRIM (COLOUR INSIDE)

MATERIAL GIRTH: 4-7/8"



USES

- > USED ON COMMERCIAL AND INDUSTRIAL BUILDINGS WHERE 1-1/2" PROFILE STEEL SIDING IS USED
- > USE 26 GAUGE OR 24 GAUGE MATERIAL FOR A STRONGER AND LONGER LASTING TRIM. (NOT ALL COLOURS AVAILABLE IN 26 OR 24 GAUGE)



SECTION 11

STRUCTURAL Z GIRTS STRUCTURAL J GIRTS STRUCTURAL ANGLES STRUCTURAL CHANNELS

PAGE 57

M-500 Z GIRT PROFILE

PAGE 58

M-501 J GIRT PROFILE

PAGE 59

M-502 ANGLE PROFILE

PAGE 60

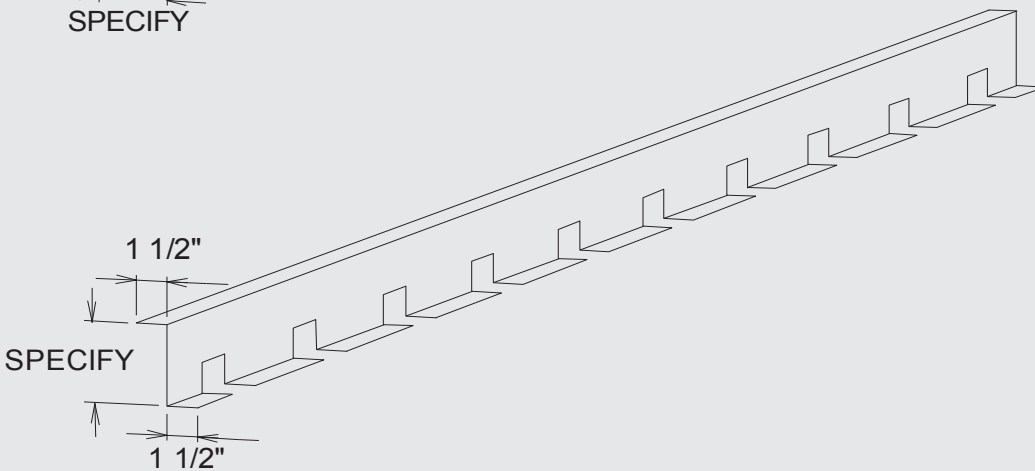
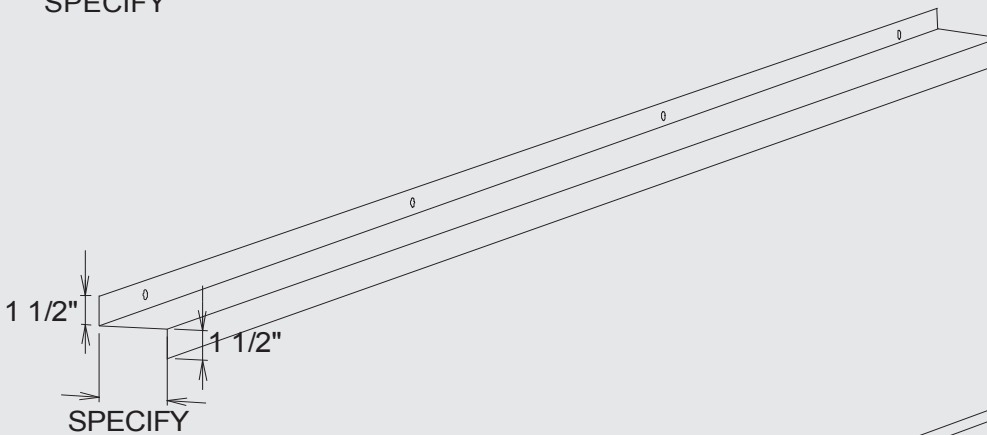
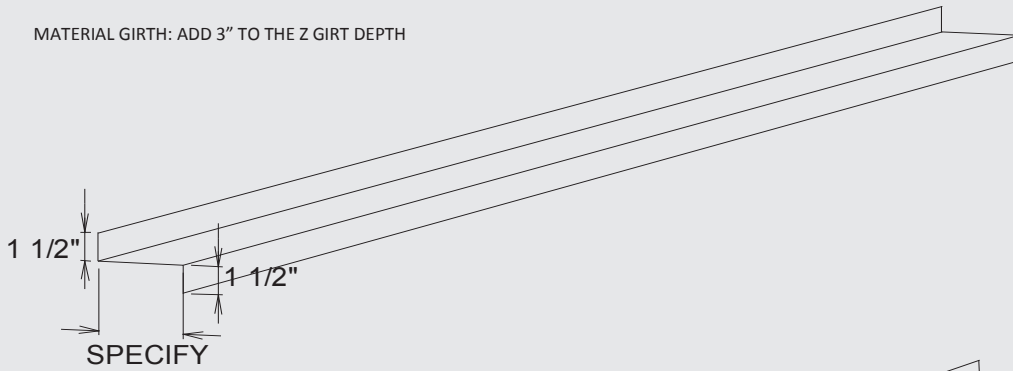
M-503 CHANNEL PROFILE

STANDARD PROFILE

M-500 Z GIRT

- AVAILABLE WITH HOLES FOR FASTENING
- AVAILABLE WITH NOTCHING FOR ANY SIDING OR ROOFING (DECKING) PROFILE
- DIMENSIONS CAN BE CHANGED TO PREFERENCE

MATERIAL GIRTH: ADD 3" TO THE Z GIRT DEPTH



MATERIAL

- > AVAILBALE IN 10 GA TO 26 GA. GALVANIZED, STAINLESS STEEL, OR BARE STEEL

USES

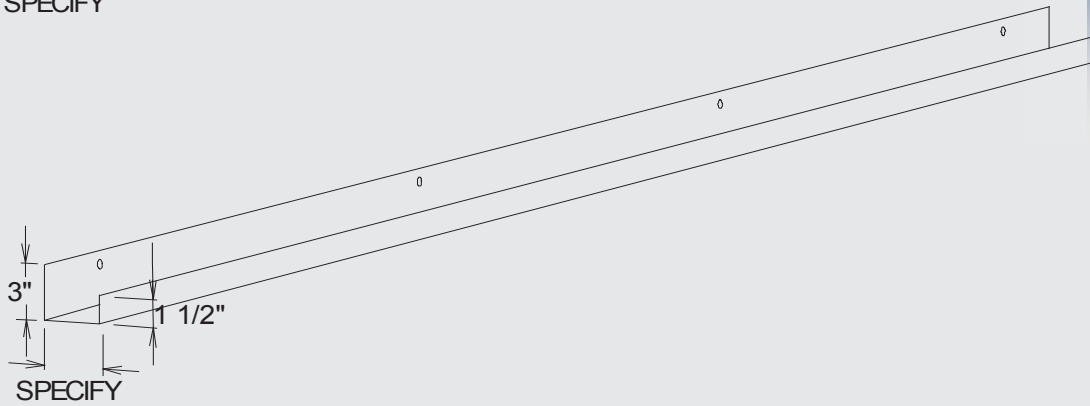
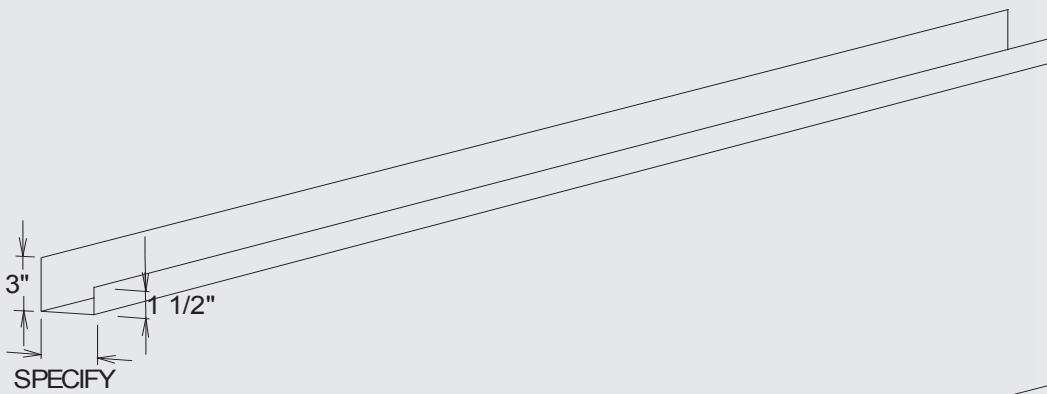
- > USED ON COMMERCIAL AND INDUSTRIAL BUILDINGS FOR "STRAPPING" FOR INSULATION GAP AND ALSO WHERE CLADDING IS FASTENED
- > ASK FOR PUNCHED HOLES FOR EASIER FASTENING
- > NOTCHING FOR STEEL RIB ALSO AVAILABLE

STANDARD PROFILE

M-501 J GIRT

- AVAILABLE WITH HOLES FOR FASTENING
- DIMENSIONS CAN BE CHANGED TO PREFERENCE

MATERIAL GIRTH: ADD 4-1/2" TO THE J GIRT DEPTH



MATERIAL

- > AVAILBALE IN 10 GA TO 26 GA. GALVANIZED, STAINLESS STEEL, OR BARE STEEL

USES

- > USED ON COMMERCIAL AND INDUSTRIAL BUILDINGS FOR CAPPING OPENINGS IN WALLS OR FOR STRAPPING WHERE CLADDING IS FASTENED
- > ASK FOR PUNCHED HOLES FOR EASIER FASTENING

STANDARD PROFILE

M-502 ANGLE

- AVAILABLE WITH HOLES FOR FASTENING
- DIMENSIONS CAN BE CHANGED TO PREFERENCE

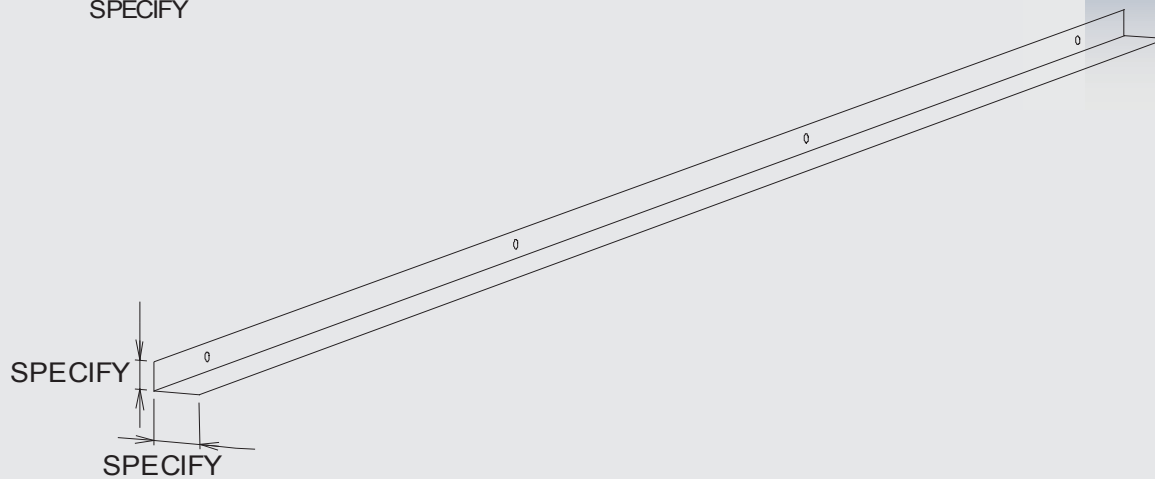
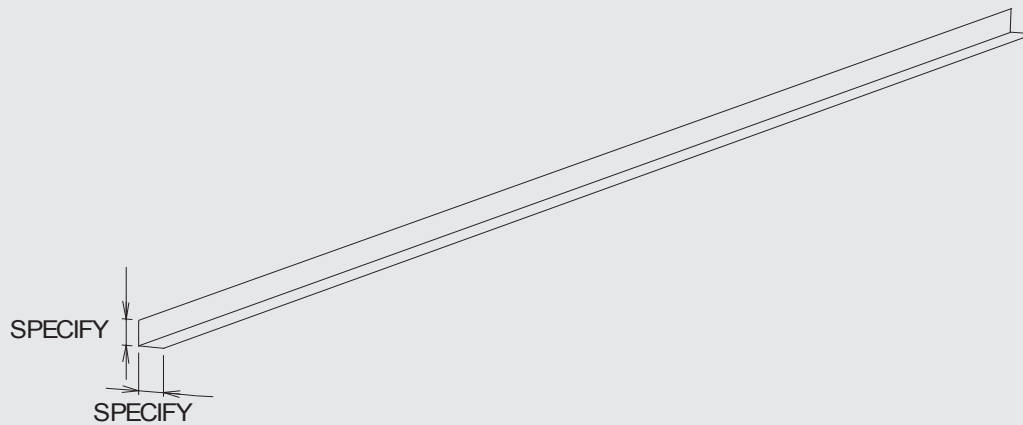
MATERIAL GIRTH: ADD HEIGHT AND WIDTH

MATERIAL

- > AVAILBALE IN 10 GA TO 26 GA. GALVANIZED, STAINLESS STEEL, OR BARE STEEL

USES

- > USED ON COMMERCIAL AND INDUSTRIAL BUILDINGS FOR CAPPING OPENINGS IN WALL
- > ALSO USED FOR A BRICK LEDGE BENEATH THE BRICK OR STONE FACE
- > ASK FOR PUNCHED HOLES FOR EASIER FASTENING

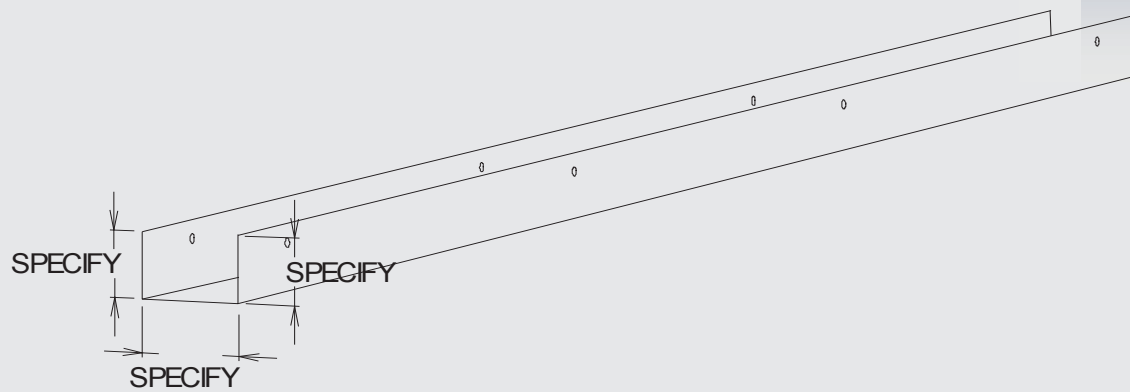
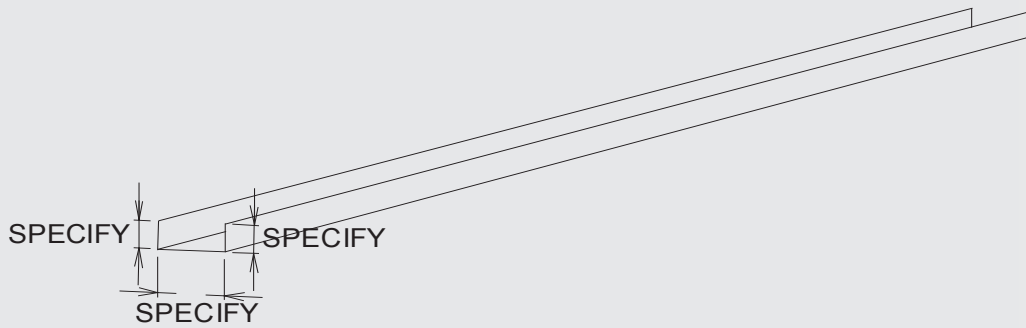


STANDARD PROFILE

M-503 CHANNEL

- AVAILABLE WITH HOLES FOR FASTENING
- DIMENSIONS CAN BE CHANGED TO PREFERENCE

MATERIAL GIRTH: CHANNEL HEIGHT X 2; PLUS CHANNEL WIDTH



STRUCTURAL CHANNEL

MATERIAL

- > AVAILBALE IN 10 GA TO 26 GA. GALVANIZED, STAINLESS STEEL, OR BARE STEEL

USES

- > USED ON COMMERCIAL AND INDUSTRIAL BUILDINGS FOR CAPPING OPENINGS IN WALLS
- > CAN ALSO BE USED FOR CHANNEL WHERE INSULATION IN SANDWICH WALLS SITS INTO
- > ASK FOR PUNCHED HOLES FOR EASIER FASTENING



SECTION 12

RIDGE VENTS ROUND VENTS CUPOLAS

PAGE 63

- M-48 48" ROOF VENT**
- M-120 120" RIDGE VENT (UP TO 6/12 P)**
- M-120A 120" RIDGE VENT C/W WIND DEFLECTORS (MORE THAN 6/12 PITCH)**

PAGE 64

- M-416 16" ROUND VENT**
- M-420 20" ROUND VENT**
- M-424 24" ROUND VENT**
- M-430 30" ROUND VENT**
- M-436 36" ROUND VENT**

PAGE 65

- M-218 18" CUPOLA**
- M-218V 18" CUPOLA C/W WEATHERVANE**
- M-224 24" CUPOLA**
- M-224V 24" CUPOLA C/W WEATHERVANE**
- M-230 30" CUPOLA**
- M-230V 30" CUPOLA C/W WEATHERVANE**
- M-236 36" CUPOLA**
- M-236V 36" CUPOLA C/W WEATHERVANE**
- M-242 42" CUPOLA**
- M-242V 42" CUPOLA C/W WEATHERVANE**
- M-248 48" CUPOLA**
- M-248V 48" CUPOLA C/W WEATHERVANE**



SECTION 12 CONT.

WEATHERVANES

SHUTTERS

LOUVRES

FAN HOODS

PAGE 66

24" AND 30" WEATHERVANES

PAGE 67

46" FULL-BODIED WEATHERVANES

PAGE 68

M-460 RECTANGULAR WINDOW SHUTTER

M-465 CATHEDRAL WINDOW SHUTTERS

M-466 BOARD-STYLE WINDOW SHUTTERS

PAGE 69

M-300 RECTANGLE / SQUARE LOUVRE (UP TO 36" WIDE)

M-310 RECTANGLE / SQUARE LOUVRE (OVER 36" WIDE)

PAGE 70

M-318 18" OCTAGON LOUVRE C/W 3" FACE

M-324 24" OCTAGON LOUVRE C/W 3" FACE

M-330 30" OCTAGON LOUVRE C/W 3" FACE

M-336 36" OCTAGON LOUVRE C/W 3" FACE

M-348 48" OCTAGON LOUVRE C/W 3" FACE

PAGE 71

M-360 TRIANGLE LOUVRE

M-365 TRIANGLE LOUVRE WITH RECTANGLE BASE

PAGE 72

M-450 FAN HOOD C/W 4" X 4" THROAT

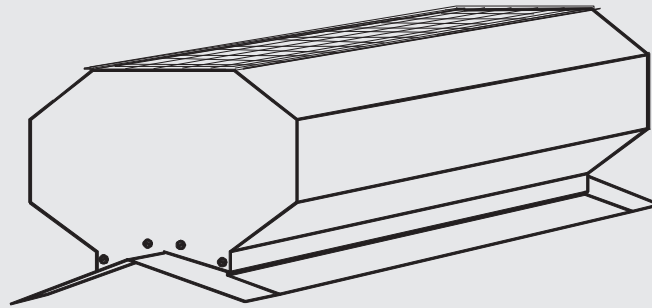
M-455 FAN HOOD

USES

- > PROVIDES VENTILATION FOR THE ATTIC OF A BUILDING
- > THE 10' VENTS PROVIDES A LOW PROFILE APPEARANCE FOR RESIDENTIAL, AGRICULTURAL OR COMMERCIAL BUILDINGS

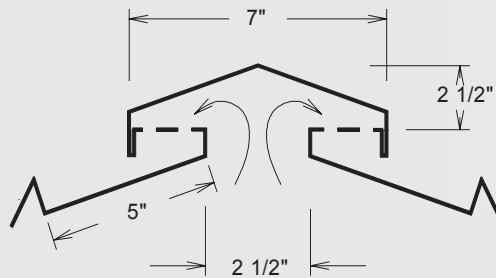
M-48 48" ROOF VENT

- OPEN-TOP DESIGN PROVIDES MAXIMUM VENTILATION
- SCREEN OPENING: 8" X 47"
- 288 SQ. IN OF VENTING



M-120 120" RIDGE VENT UP TO 6/12 PITCH

- 4 ROWS OF 7/8" DIAMETER HOLES
- 144 SQ. IN. OF VENTING
- AVAILABLE IN TEN-FOOT SECTIONS WITH ENDCAPS IN BOTH ENDS OR IN A LONG CONTINUOUS SECTION WITH SPLICE JOINERS
- CUT TO LENGTH IS AVAILABLE AT EXTRA CHARGE



M-120A 120" RIDGE VENT C/W WIND DEFLECTORS FOR ROOF SLOPES OVER 6/12 PITCH



USES

- > PROVIDES VENTILATION AND ADDS A RUSTIC LOOK TO A BUILDING

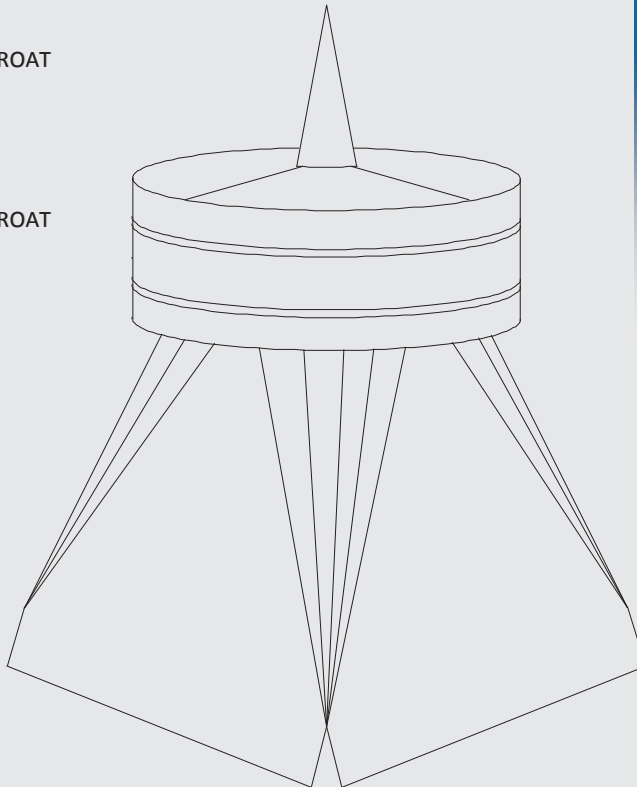
M-416 16" X 16" BASE; 12" DIAMETER THROAT

M-420 20" X 20" BASE; 16" DIAMETER THROAT

M-424 24" X 24" BASE; 18" DIAMETER THROAT

M-430 30" X 30" BASE; 24" DIAMETER THROAT

M-436 36" X 36" BASE; 30" DIAMETER THROAT



USES

> PROVIDES VENTILATION AND ADDS DECORATION TO A BUILDING

M-218 18" X 18" BASE

M-218V 18" X 18" BASE; 24" WEATHERVANE

M-224 24" X 24" BASE

M-224V 24" X 24" BASE; 24" WEATHERVANE

M-230 30" X 30" BASE

M-230V 30" X 30" BASE; 30" WEATHERVANE

M-236 36" X 36" BASE

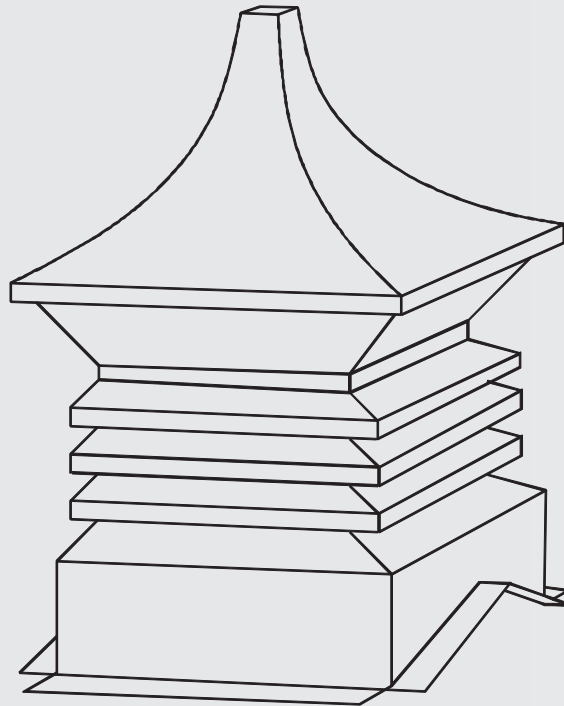
M-236V 36" X 36" BASE; 30" WEATHERVANE

M-242 42" X 42" BASE

M-242V 42" X 42" BASE; 46" FULL-BODIED WEATHERVANE

M-248 48" X 48" BASE

M-248V 48" X 48" BASE; 46" FULL-BODIED WEATHERVANE



BASE SIZE	18 X 18	24 X 24	30 X 30	36 x 36	42 x 42	48 x 48
CUPOLA HEIGHT	35"	43-1/2"	48"	59"	76"	86"
HEIGHT W/ WEATHERVANE	56"	65"	77"	86"	120"	130"
WEATHERVANE SIZE	24"	24"	30"	30"	46"	46"

24" WEATHERVANES



HORSE



PHEASANT



SALBOAT



ROOSTER



RETRIEVER



EAGLE



COUNTRY DOCTOR



COW



DUCK

PAINTED HOLSTEIN COW
ALSO AVAILABLE

30" WEATHERVANES



COUNTRY DOCTOR



CLIPPER



HORSE

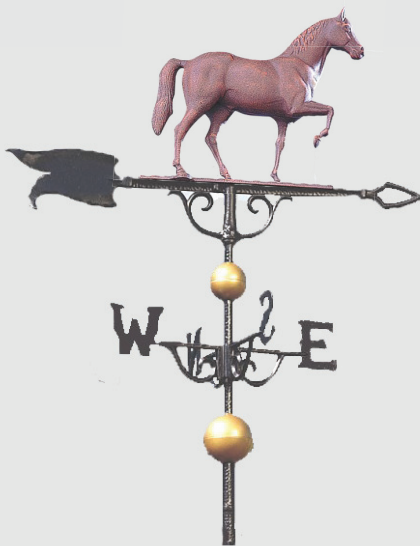
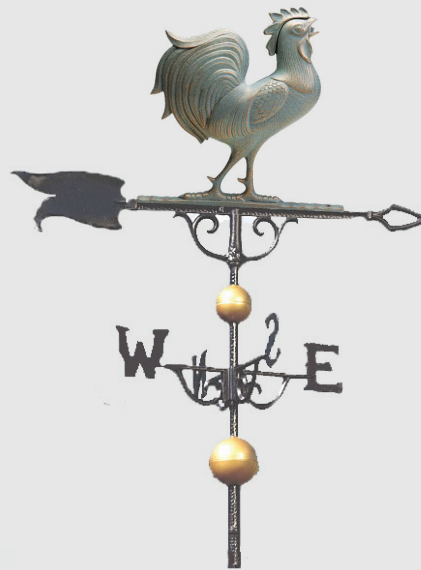
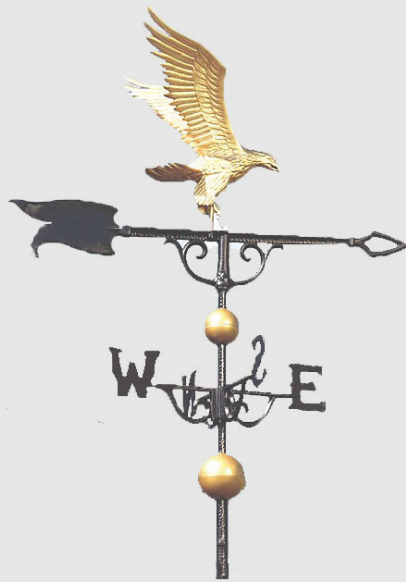


ROOSTER



WHALE

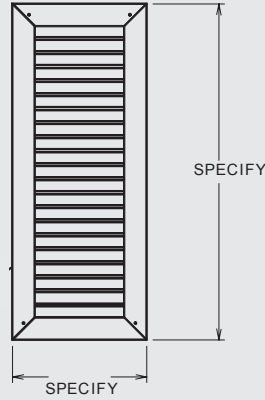
46" FULL-BODIED WEATHERVANES



WINDOW SHUTTERS

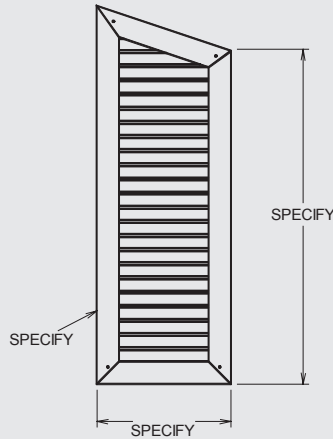
M-460 RECTANGULAR WINDOW SHUTTER

- SPECIFY SHUTTER WIDTH AND HEIGHT



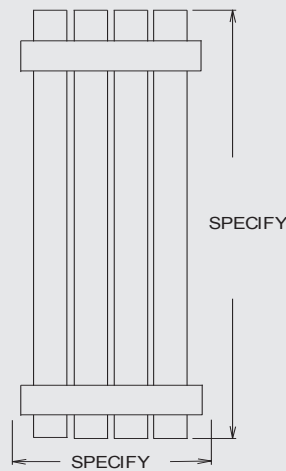
M-465 CATHEDRAL WINDOW SHUTTER

- SPECIFY SHUTTER WIDTH, HEIGHT AND PITCH



M-466 BOARD-STYLE WINDOW SHUTTER

- SPECIFY SHUTTER WIDTH AND HEIGHT

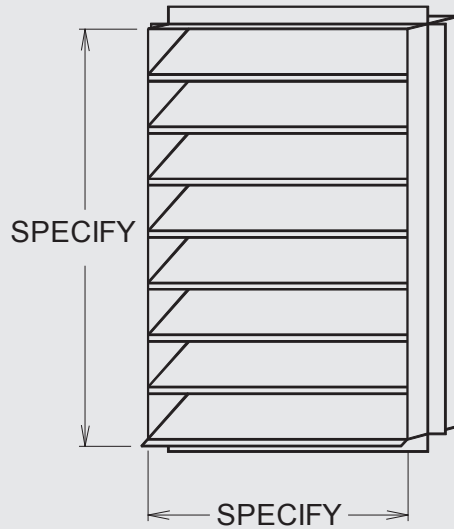


USES

- > ADDS CHARACTER TO BUILDING
- > FOR CATHEDRAL SHUTTERS ORDER IN SETS (SPECIFY RIGHT HAND OR LEFT HAND)
- > USE BOARD-STYLE SHUTTERS TO ADD A MORE RUSTIC LOOK TO A BUILDING

M-300 RECTANGLE AND SQUARE LOUVRES (UP TO 36" WIDE)

- AVAILABLE WITH FLYSCREEN OR BIRDSCREEN



M-310 RECTANGLE AND SQUARE LOUVRES (OVER 36" WIDE)

- MAXIMUM SINGLE PIECE LOUVRE WIDTH OR HEIGHT IS 10 FEET
- AVAILABLE WITH FLYSCREEN OR BIRDSCREEN



USES

- > PROVIDES VENTILATION FOR THE ATTIC OF A BUILDING
- > ADDS CHARACTER TO GABLE ENDS

USES

- > PROVIDES VENTILATION FOR THE ATTIC OF A BUILDING
- > ADDS CHARACTER TO GABLE ENDS
- > THE FACE OF THE OCTAGON HIDES THE CUT EDGE OF THE SIDING STEEL AND ALSO ACCENTS THE LOUVRE

M-318 18" OCTAGON LOUVRE WITH 3" FACE

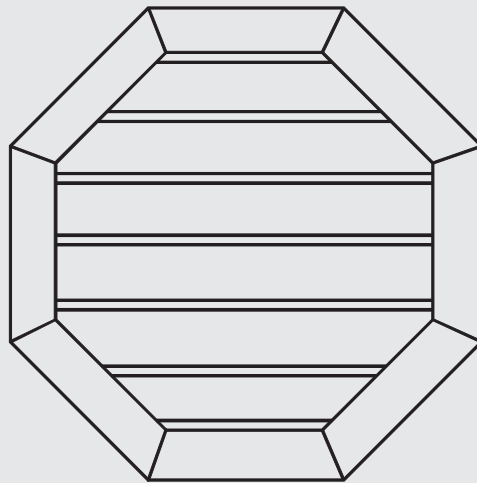
M-324 24" OCTAGON LOUVRE WITH 3" FACE

M-330 30" OCTAGON LOUVRE WITH 3" FACE

M-336 36" OCTAGON LOUVRE WITH 3" FACE

M-348 48" OCTAGON LOUVRE WITH 3" FACE

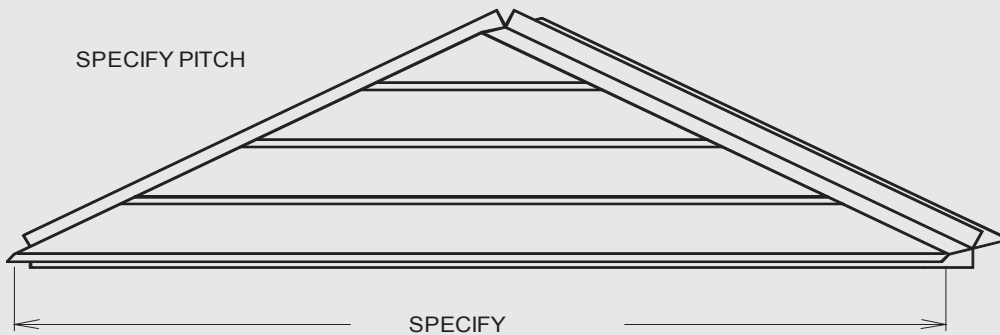
- AVAILABLE WITH FLYSCREEN OR BIRDSCREEN



TRIANGLE LOUVRES

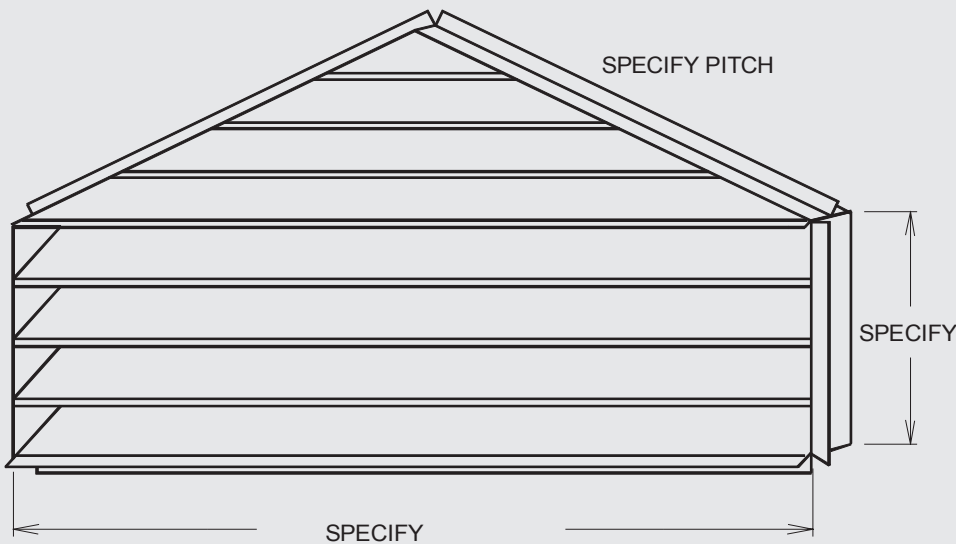
M-360 TRIANGLE LOUVRE

- SPECIFY PITCH OF ROOF TO MATCH THE LOUVRE WITH THE ROOF SLOPE
- MAXIMUM LENGTH OF ONE SECTION IS 120"
- LOUVRES CAN BE MADE IN MULTIPLE SECTIONS FOR A WIDER FINISHED LOUVRE (EXAMPLE 18' LOUVRE = 2 SECTIONS x 9')
- AVAILABLE WITH FLYSCREEN OR BIRDSCREEN



M-365 TRIANGLE LOUVRE WITH RECTANGLE BASE

- SPECIFY PITCH OF ROOF TO MATCH THE LOUVRE WITH THE ROOF
- MAXIMUM LENGTH OF ONE SECTION IS 120"
- LOUVRES CAN BE MADE IN MULTIPLE SECTIONS FOR A WIDER FINISHED LOUVRE (EXAMPLE 18' LOUVRE = 2 SECTIONS x 9')
- AVAILABLE WITH FLYSCREEN OR BIRDSCREEN



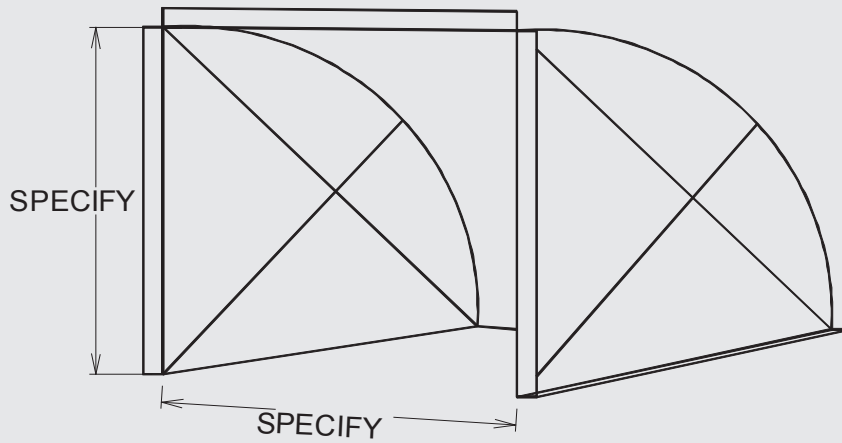
USES

- > PROVIDES VENTILATION FOR THE ATTIC OF A BUILDING
- > ADDS CHARACTER TO GABLE ENDS
- > TRIANGLE LOUVRE WITH RECTANGLE BASE HAS MUCH MORE VENTILATION THAN A REGULAR TRIANGLE LOUVRE

FAN AND INTAKE HOODS

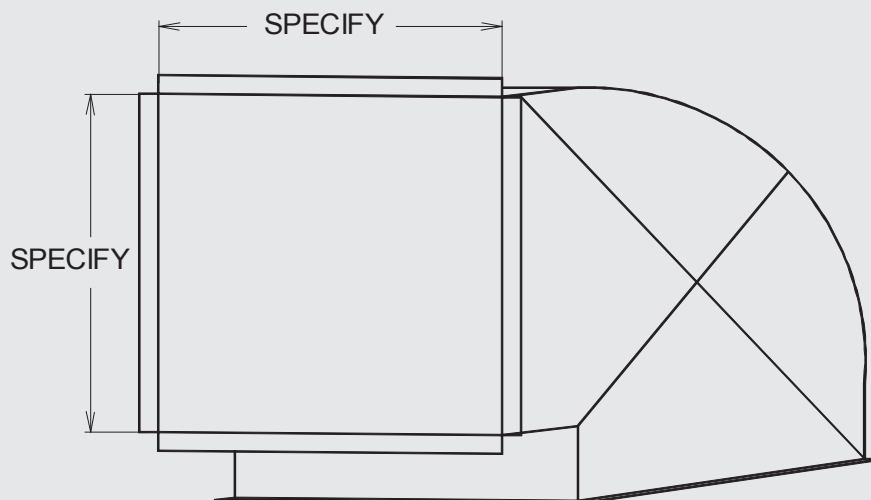
M-455 STANDARD FAN HOOD

- SPECIFY ROUGH OPENING SIZE
- AVAILBLE WITH BIRDSCREEN



M-450 FAN HOOD WITH 4" X 4" THROAT

- SPECIFY ROUGH OPENING SIZE
- AVAILBLE WITH BIRDSCREEN



USES

- > CAN BE USED AS FAN HOODS OR INTAKE HOODS
- > ASK FOR BIRDSCREEN IN BOTTOM TO KEEP BIRDS OUT